

Installation Guide and Operating Manual

**Multi-Spectrum Digital
Electro-Optical Fire Detectors**

Model SS4-AUV/-AUV2

Stand-Alone Relay Mode or 4-20 mA Output Option

Notices and Trademarks

Copyright 2014 by Honeywell International Inc.

While this information is presented in good faith and believed to be accurate, Honeywell disclaims the implied warranties of merchantability and fitness for a particular purpose and makes no express warranties except as may be stated in its written agreement with and for its customers.

In no event is Honeywell liable to anyone for any indirect, special or consequential damages. The information and specifications in this document are subject to change without notice.

The detector must be installed only by qualified professional personnel in accordance with local codes.

The protection provided by the gas detector may be impaired if it is used in a manner not specified by Honeywell Analytics.

ACCTTL, ALERT-1, ALARM-2, ALERT-1: ALARM 2, ALERT-1: ALARM-2, ATAG, Clean Room Sentry, COP-i, Complete Optical Path Integrity, CM1, CM1-A, DartLogic, FireLogic, Fire Signature Analysis, FireBusI, FireBusII, FirePic, FirePicII, FirePicIII, FirePix, FirePicture, FSC, Fire Sentry Corporation, Fire Sentry Corp., FSX, All FSX Nomenclature Variations (such as: FS2, FS2X, FS3, FS3X, FS4, FS4X, FS5, FS5X, FS6, FS6X, FS7, FS7X, FS8, FS8X, FS9, FS9X, FS10X, FS10X, FS11, FS11X, FS12, FS12X, FS14, FS14X, FS15, FS15X, FS16, FS16X, FS17, FS17X, FS18, FS18X, FS19, FS19X, FS20, FS20X, FS24, FS24X, FS24XN, FS26, FS26X, FS26XN), FS7-2173-2RP, FS System 7, FS System 10, FS7-2173, FS7-2173-RP, FS2000, FS System 2000, High Speed Flame & Surveillance Detector, Multi-Spectrum QuadBand Triple IR, Multi-Spectrum TriBand, Multi-Spectrum Tri-Band, Near Band Infrared, Near Band IR, NearBand IR, QuadBand IR, Room Sentry, RS, RS2, SM2, SM3, SS, SS2, SS2X, SS2-A, SS3, SS3-A, SS3X, SS4, SS4-A, SS4X, SnapShot, SLR-BIT, SuperBus, SuperSentry, System 2000, Tri-Mode Plot, QuadBand Triple IR Plus, TriBand, Tri-Band, "FS & FSC triangle logo's", WBIR, Wide Band Infrared, WideBand IR, Wide Band IR

are registered trademarks of Honeywell International Inc.

Other brand or product names are trademarks of their respective owners.

Honeywell Analytics

Symbol Definitions

The following table lists those symbols used in this document to denote certain conditions.

Symbol	Definition
	ATTENTION: Identifies information that requires special consideration.
	TIP: Identifies advice or hints for the user, often in terms of performing a task.
	REFERENCE-EXTERNAL: Identifies an additional source of information outside of this bookset.
	REFERENCE-INTERNAL: Identifies an additional source of information within this bookset.
	CAUTION: Indicates a situation which, if not avoided, may result in equipment or work (data) on the system being damaged or lost, or may result in the inability to properly operate the process. CAUTION: Indicates a potentially hazardous situation which, if not avoided, may result in minor or moderate injury. It may also be used to alert against unsafe practices. CAUTION: Symbol on the equipment refers the user to the product manual for additional information. The symbol appears next to required information in the manual.



ATTENTION: Identifies information that requires special consideration.



TIP: Identifies advice or hints for the user, often in terms of performing a task.



REFERENCE-EXTERNAL: Identifies an additional source of information outside of this bookset.



REFERENCE-INTERNAL: Identifies an additional source of information within this bookset.

 **CAUTION**

Indicates a situation which, if not avoided, may result in equipment or work (data) on the system being damaged or lost, or may result in the inability to properly operate the process.



CAUTION: Indicates a potentially hazardous situation which, if not avoided, may result in minor or moderate injury. It may also be used to alert against unsafe practices.

CAUTION: Symbol on the equipment refers the user to the product manual for additional information. The symbol appears next to required information in the manual.

TABLE OF CONTENTS

APPROVALS	5
SECTION 1 TECHNICAL DESCRIPTION	6
1.1 Features and Specifications	6
1.1.1 General Description	6
1.1.2 Applications	8
1.1.3 Detector Locations.....	8
1.2 Stand-Alone Operation	9
1.3 FS2000 System Operation.....	9
1.4 Overview.....	10
1.4.1 Model SS4-AUV/-AUV2 Detector	10
1.4.2 Detection Range and Field-of View	11
Figure 1: Field of View, Horizontal, and Vertical	11
Sensitivity to 1 Sq. Ft. Gasoline Pan Fire	11
1.5 Configuration Settings	12
1.6 Testing.....	13
1.6.1 Special Conditions for Testing	13
1.6.2 Automatic Testing.....	13
1.6.3 Manual Testing	13
SECTION 2 INSTALLATION	14
2.1 Installation Instructions.....	14
2.1.1 Installation Precautions.....	14
2.1.2 Conduit Installation.....	14
2.1.3 Wiring Recommendations.....	14
2.1.4 Power Supply Considerations	15
2.2 Installation Procedure.....	15
2.2.1 Configuring and Wiring Detectors.....	15
2.2.2 Removing Detector from its Enclosure.....	15
2.2.3 Configuring the Detector Module.....	15
2.2.4 Wiring the Detector Module.	16
2.2.5 Wiring the SS4-AUV/-AUV2 Detector for 4 or 20 mA Current Mode Operation (Optional)	17
Figure 3: SS4 Detector Module with MA420-4 Installed (Rear View).....	17
2.2.6 Wiring the Detector Relays.....	18
2.2.7 Replacing the Detector Module in the Enclosure.....	18
2.3 Enclosure Installation (optional)	18
2.3.1 Installing the Detector on the Swivel Mount (SM2) or SS Extra Duty (SM4) Swivel Mount	18
Figure 4: Model SM2 Swivel Mount	19
Figure 5: Model SM4 Stainless Steel Swivel Mount.....	19
Figure 6: Model SS4-AUV/-AUV2 Detector Enclosure - Side View	20
Figure 7: Model SS4-AUV/-AUV2 Detector Enclosure - Rear View.....	20

SECTION 3 TROUBLESHOOTING AND MAINTENANCE.....21

- 3.1 Model SS4-AUV/-AUV2 Detector Faults 21
- 3.2 Cleaning Windowed Enclosures and Detectors 22
- 3.3 Personnel Training..... 22
- 3.4 Detector Repair 23

SECTION 4 DETECTOR CONNECTIONS & SWITCH OPTIONS.....24

- 4.1 Detector Connections 24
- 4.2 Detector Switch Options 25
 - Verification Time 25
 - Latching 25
 - Test Cycle..... 25
 - Fire Range 25

SECTION 5 OPTIONAL ACCESSORIES.....26

- 5.1 Air Shield for Applications in Contaminated Environment (Part No. DASA1-P) 26
- 5.2 PC Software Kit (2029-INTERFACE-KIT) 26
- 5.3 4-20 mA Option (MA420-4) 26
- 5.4 Detector Mounts (SM2 or SM4) 26
- 5.5 Test Lamp (FT-2045 or FT-2145) 26

SECTION 6 DETECTOR LABEL DRAWINGS.....27

INDEX28

APPROVALS

The Model SS4-AUV/-AUV2 Ultraviolet Fire Detectors have been manufactured in compliance with the requirements of the ISO-9002 standard and have been approved by:

- **California State Fire Marshal (CSFM)**
- **Factory Mutual (FM)**
- **Canadian Standards (CSA)**
- **CENELEC approval by FM Approvals Ltd. Certification Service in compliance with the ATEX Directive.**

SECTION 1 TECHNICAL DESCRIPTION

1.1 Features and Specifications

1.1.1 General Description

The Model SS4-AUV/-AUV2 Ultraviolet Fire/Flame Detectors are fast-reacting (within 5 seconds), digital, configurable, computerized, “smart” units. They are capable of solar-blind flame detection in the ultra-violet spectral range (185 to 260 nanometers) utilizing long-life twin ruggedized UV sensors. They are equipped with SRL-BIT (Built In Test) for optical “through the lens” of both the sensors and lens. The Model SS4-AUV/-AUV2 Ultraviolet Fire Detector has sensitivity to Type A, B, and C flaming fires, false alarm immunity, and an alarm range between 15 and 60 ft. to a one square foot gasoline pan fire, with a 120-degree (± 60 degrees from the axis) conical field of view. Their microprocessor-based algorithms (FirePic™, SnapShot™, and Tri-Mode Plot™) assure time programmable alarm verification, Fire Signature Analysis, and compatibility with standard approved fire alarm panels.

The Detector also has the flexibility to be re-configured in the field. Its installation is simple, and operation straightforward due to the built-in self-testing feature. Therefore, the maintenance consists mainly in keeping the Detector window lens clean, and performing periodic testing required by the manufacturer of the Fire Control and Suppression System.

Other Specifications:

Housing: Explosion-Proof, Copper-free Aluminum (< 0.4%) with powder-coated finish, NEMA type 3 and type 4, tamper-resistant with integral dual ¼ inch NPT openings.

Marking: Class I, Div. 1 & 2, Groups B,C, & D
 Class II, Div. 1 & 2, Groups E, F, & G
 Class III

Class I Zone 1 AEx d IIC

Ex d IIC; Ex tb IIIC

Temperature: Operation: -40 to +85°C (-40 to +185° F)
 Storage: -55 to 105°C
 Humidity range: 10% to 90% (RH), non-condensing



NOTE: The supply connection wiring shall be rated at least 10°C above the rated service temperature (95°C for T4 applications and 85°C for T5 applications). See Figures 8 and 9 on Page 16 of this Instruction Manual.

Weight: Aluminum housing is approximately 3.8 lbs.
Stainless Steel is approximately 8.9 lbs.

Dimensions: 4.8 inches diameter by 4.4 inches high

LED Visual Indicators:

Powered Detector:	Dual LEDs blink every 10 seconds
Fault Declared:	One LED turns ON solid until the fault is cured
Re-calibrate when:	Both LEDs flash ON and OFF rapidly
Fire Declared:	Both LEDs ON solid (one LED blinks during first few seconds)

Electrical Power Requirements:

Connectors:	WECO type screw connectors, Wire: 18 to 24 AWG
Input Voltage range:	24 Volts DC nominal, 20.5 to 32 Volts DC
Normal Operation Current:	40 mA nominal (44 with optional MA420-4 Module)
Fire Alarm Current:	50 mA nominal (70 with optional MA420-4 Module)
Analog Current Output:	4 or 20 mA with optional MA420-4 Module

Relay Contact:

Rating:	0.5 Amp at 120 Volt AC or 1 A at 24 V DC resistive
Fire relay:	N.O. and N.C. contacts (Latching/Non-Latching, switch selected)
Verification relay:	N.O. and N.C. contacts (Adjustable time from 0 to 30 seconds)
Fault relay:	N.O. and N.C. contacts

1.1.2 Applications

Applications of the Model SS4-AUV/-AUV2 Detectors include warehouses, aircraft hangars, petrochemical facilities, Gas turbines, and Power plants, among others.

1.1.3 Detector Locations

For unobstructed performance, considering Detector locations in application areas, avoid sources, other than fire, which may cause false alarms, such as operations utilizing welding or gas torch equipment, high power sources of EMI or RFI, or artificial lighting pointed directly at the Detector. Locations experiencing strong mechanical or acoustical vibrations should also be avoided. For optimum performance, locate the Detector(s) as close as possible to the potential fire source, preferably, along the axis of the vision cone. Install enough Detectors to completely eclipse the fire hazardous area. Assure accessibility for the Detector lens cleaning, as well as best possible protection and/or cleaning from fog, rain, ice, dust, hazardous atmospheres, and other adverse elements. If necessary, utilize the Steel Swivel Mount (Model SM2) or 316 Stainless Steel Swivel Mount (Model SM4) for greater flexibility in mounting locations (See Figures 4 and 5).

1.2 Stand-Alone Operation

For Stand-Alone operation, the Model SS4-AUV/-AUV2 Detector may be connected to a FM Approved or UL Listed Fire/Security Panel. The Detector operated in the Stand-Alone mode, uses the Fire, Fault, and Verify (optional) relays or optional 4 to 20 mA current source (FSC Model MA420-4 Module, refer to Section 4.3) to interface to FM Approved or UL listed Fire /Security Panels. For Stand-Alone operation, the Detector's Fault relay is **automatically** configured by its on-board microprocessor. The input current of the Model SS4-AUV/-AUV2 Detector is about 15 mA higher in the Stand-Alone mode compared to FS2000 System operation.



NOTE: The Fault relay is not available when the Detector is wired to the FS2000 System.

1.3 FS2000 System Operation

For FS2000 System operation, the Model SS4-AUV/-AUV2 Fire and Fault signals are sent digitally to the FS2000 System Controller using the four wire FS2000 FireBus. The FireBus provides 24 Volt DC power for the Detector and RS-485 digital communication (Refer to Honeywell Analytics document MN0003: "FS2000 FIRE EARLY WARNING SYSTEM - INSTALLATION and OPERATIONS GUIDE"). For special remote alarm applications, users may also connect directly to the Detector's Fire alarm relay.



NOTE: When the Model SS4-AUV/-AUV2 Detector is connected to the FS2000 System using FireBus communication, the Controller **automatically** disables the Detector's Fault relay.

1.4 Overview

1.4.1 Model SS4-AUV/-AUV2 Detector

Version SS4-AUV: There are two (2) LEDs on the Model SS4-AUV Detector that indicate the state of the Detector. During normal operation both LEDs will blink every 10 seconds.

If the Detector alarms to a fire, it energizes the Fire relay and turns on both LEDs in the following sequence. One LED is turned on immediately and the second LED will rapidly blink for several seconds indicating that the Detector's FirePic spectra is being permanently stored in the Detector's solid-state memory (FirePic is the several seconds of Detector spectral data which precedes an alarm event). Once the FirePic data is stored, the second LED will remain on. For this version, the fire alarm LEDs turn on and remain on until power to the unit is cycled (turned off and on again).

If the Detector has a Fault, it de-energizes the Fault relay and turns one (1) LED on (the LED will not light if the Fault is a "No Power Fault"). If the Fault condition, such as a "Low Voltage Fault", is eliminated the Detector will automatically return to Normal Operation.



NOTE: Faults caused by excessive input voltage or due to temperatures outside the operating temperature range require factory re-certification. Re-certification is required if a Fault is indicated by both LEDs rapidly blinking (with frequency about 2 Hz.).

Version SS4-AUV2: The operation of this unit is identical to the SS4-AUV, except the fire alarm LEDs turn off once the fire threat is eliminated, without power cycling of the device.

1.4.2 Detection Range and Field-of View

The SS4-AUV/-AUV2 detection range is field adjustable between 15 and 60 ft. in 15 ft. increments to an industry standard one square foot gasoline pan fire within 5 seconds.

The Detector incorporates a 120-degree conical Field of View. The fire emissions received by the Detector diminish at extreme range and edges of the field-of-view. It is recommended that the Detector be pointed at the fire threat area for the fastest response times to the smallest size fire. When multiple Detectors are used to cover large areas, the Field-of-VIEWS should overlap to insure complete coverage of the fire threat area. The Field-of-View is not, however, limited to 120 degrees. Larger fires outside the 120 degree Field-of-View may cause the SS4-AUV/-AUV2 to alarm. This is based on the Inversed Square Law for radiated energy, a larger size fire outside the Detection Range and field-of-view may cause the Detector to alarm. Refer to Figure 1.

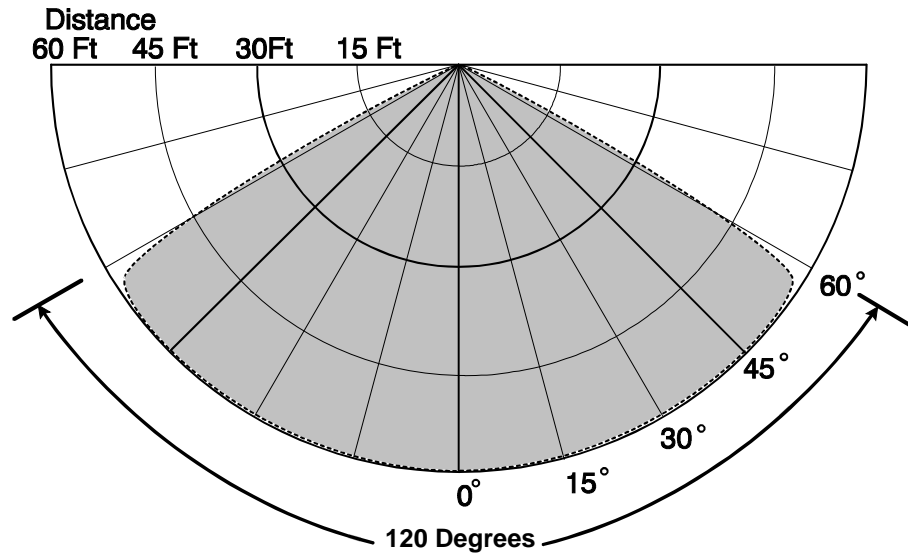


Figure 1: Field of View, Horizontal, and Vertical.

Sensitivity to 1 Sq. Ft. Gasoline Pan Fire

1.5 Configuration Settings

The SS4-AUV/-AUV2 Detector may be reconfigured in the field and thus optimized for special applications. The configuration of the Detector is set using DIP switches located on the middle circuit board of the Detector Module. The DIP switch settings for each configuration are listed in Table 2.

These configurable options include:

1. **Fire Verify Relay** - The Verify Relay may be disabled or enabled with several Verify Time settings. It also may be set as another Fire Relay. The Verify Time may be set from 5 to 30 seconds in 5 seconds increments. **The Factory setting: Verify Relay Disabled.**

When the Verify Relay is enabled and Verify Time is set the Verify Relay will energize and the Fire Relay will de-energize if the fire conditions are still present at the end of the Verify Time period. In the opposite case, the Detector will wait for 5 seconds plus another Verify Time period to test for the fire conditions. This wait and verify cycle will repeat 10 times or until the presence of the fire is confirmed. If the presence of the fire is not established the Fire Relay will remain energized unless Non-Latching mode is set. In case a subsequent fire is detected the entire verification process will be repeated. The state of the Fire and Verify Relay after the verification process will depend on the choice between Latching and Non-Latching modes.



NOTE: When the Verify Relay is enabled and Verify Time is set, the Fire Relay will de-energize when the Verify Relay is energized.

2. **Latching / Non-Latching** - The Fire Relay and Verify Relay may be set in a Latching or Non-Latching mode. The Factory setting for the SS4-AUV is Latching and the SS4-AUV2 is Non-Latching.

If the **SS4-AUV or SS4-AUV2 Latching** mode is selected, the Fire or Verify Relay will energize and Red LEDs will remain illuminated until the Detector power is cycled (power is turned off then on).

If the **SS4-AUV Non-Latching** mode is selected, the Fire or Verify Relay will de-energize after 10 seconds and the Red LEDs will remain illuminated until power is cycled.

If the **SS4-AUV2 Non-Latching** mode is selected, the Fire or Verify Relay will de-energize and the Red LEDs will turn-off after 10 seconds.

3. **Test Period** - This setting pertains to the Through-the-Lens test period, which may be set to 6 or to 30 minutes. **The Factory setting is 30 minutes.** The 6-minute period may be required in applications where the lens is frequently obscured.



NOTE: Utilization of the 6-minute period may adversely affect the source tube service life.

4. **Fire Detection Range Setting** - 15, 30, 45, or 60 ft. **The Factory setting is 45 ft..** This setting should be changed only if the Detector is located too close to the fire threat area and in the presence of abnormally high UV.

1.6 Testing

1.6.1 Special Conditions for Testing

The SS4 Detector should be tested immediately after installation, after repair or maintenance involving wiring or model replacement, after periodic maintenance, or after lens contamination has been identified.

1.6.2 Automatic Testing

Automatic SLR-BIT (Built In Test) “through-the-lens” self-testing is performed, during Detector operation, for virtually all-internal electronic systems at the selected Test Period (Section 1.5, 3). One of the Red LEDs will remain illuminated (Fault) to indicate contamination of the window lens, missing the protective Self-test grill, or when removing the enclosure cover.

1.6.3 Manual Testing

For manual testing, the SS4-AUV/-AUV2 Detector may be exposed to an actual industry standard open flame or to a Test Lamp simulating a fire in the UV band. It is mandatory to use the handheld UV/IR Test Lamp, Models FT-2045 or FT-2145 for Honeywell Analytics SS4 type Fire Detectors. The FT-2045 and FT-2145 Test Lamps are housed in an Explosion-Proof enclosure, powered by internal rechargeable batteries, and designed for indoor and outdoor use. For additional information on the Test Lamp, refer to Honeywell Analytics (FSC) Specification SP0242 for FT-2045 or 1505-008A for FT-2145.



NOTE: Other manufacturers UV/IR Test Lamps should not be utilized to test Honeywell Analytics (FSC) UV Detectors; conversely, the FT-2045 or FT-2145 Test Lamps should not be utilized for testing other manufacturer’s Detectors.

SECTION 2 INSTALLATION

2.1 Installation Instructions

This section describes the installation of the Model SS4-AUV/-AUV2 Detector for the Stand-Alone relay mode. It is recommended that junction boxes be used to wire the Detectors. Determine the configuration settings for the device(s) and the number of connections to be used (Fire, Fire Verify, Fault, and Power) depending on desired Detection Range and Fire Control Panel type used (refer to the Fire Control Panel Manual).

2.1.1 Installation Precautions

The following precautions should be observed during installation of Model SS4-AUV/-AUV2 Detectors.

1. Make sure that the external electrical power is turned **OFF** before connecting the Detector.
2. Printed circuit board components of the Detector are susceptible to damage from electrostatic discharge. **Do not handle the Detector's module (and its printed circuit boards)** without adequate grounding and observing all necessary measures to prevent the effect of electrostatic discharge (ESD).

2.1.2 Conduit Installation

When planning the conduit, follow these recommendations.

1. If only one of the two 3/4 inch NPT conduit openings on the Model SS4-AUV/-AUV2 Detector enclosure is used, seal the unused opening with a threaded plug and approved sealing material.
2. In areas where moisture may accumulate, install an approved conduit trap or drain.
3. A seal shall be installed 6" from the **enclosure wall** for all applications requiring a Class I, Div. 1 Explosion-Proof rating.

2.1.3 Wiring Recommendations

To prevent intermittent connections, Honeywell Analytics recommends using junction boxes. Install a junction box near each Detector location. Wire each Detector to its junction box. Use screw-down terminal strips inside the junction box to make the connections from the Detector's terminals to an FM Approved or UL listed Fire Alarm Panel. Also use FM/UL Approved junction boxes and terminal strips.



NOTE: Avoid wire splices. However, if wire splices are necessary, all splices should be soldered. Utilization of good wiring practices will simplify installation, improve reliability, and facilitate maintenance.

2.1.4 Power Supply Considerations

The Model SS4-AUV/-AUV2 Detector uses 24 Volts DC at a maximum current of 50 mA (with the 4-20 mA option the maximum supply current is 70 mA). Make sure that the Panel's power supply can handle the load current of the total number of Detectors connected to it. For example, if 10 (ten) SS4-AUV/-AUV2 Detectors are used on a single Panel's power supply (multiply 50 mA 10 times); the power supply must be able to handle at least 500 mA + 10% (0.50 A + 10%). This load current must also be considered when calculating the Panel's requirements for 24-hour power backup.

2.2 Installation Procedure

2.2.1 Configuring and Wiring Detectors

To configure and wire a Model SS4-AUV/-AUV2 Detector, or to replace the Detector module, the module must be removed from the enclosure. After the configuration settings and wiring connections have been completed, the module should soon be re-installed in the enclosure to avoid contamination from the environment.



NOTE: Avoid touching the Detector sensors at the front of the Detector modules. If touched accidentally, they should be cleaned per instructions of Section 3.2.

2.2.2 Removing Detector from its Enclosure.

- a. With electrical power off (verify that electrical power is off by making sure that the Detector's LEDs do not blink for at least 15 seconds), loosen the Allen-head screw at the base of the metal enclosure top lens cover.
- b. Remove the cover and set it aside along with the "O" ring avoiding contamination.
- c. Remove the three Philips head captive screws located on the top circuit board.
- d. Carefully lift out the module, sliding it along the three metal standoffs.

2.2.3 Configuring the Detector Module.

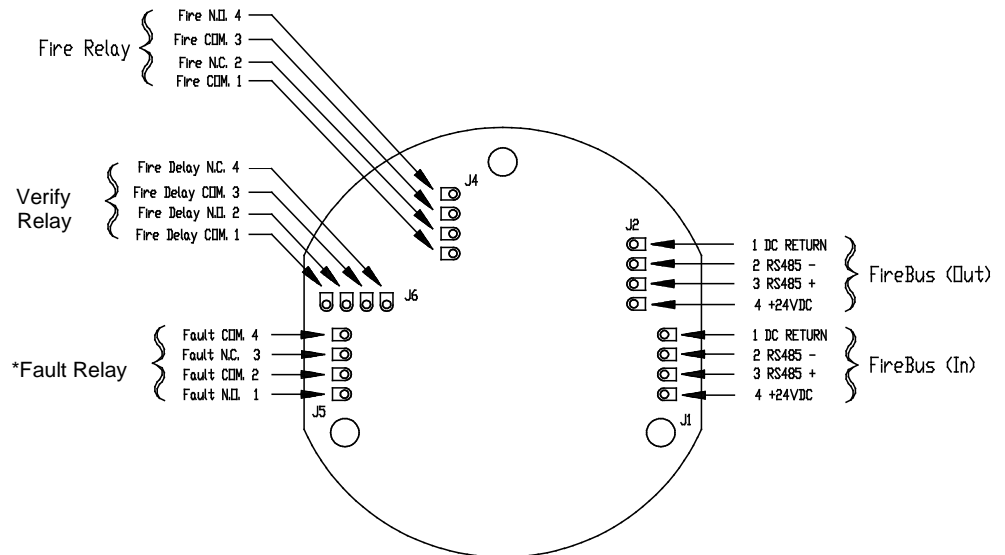
Set the DIP switches located on the center PC board of the Detector module to the desired settings. Refer to section 1.5 and Table 2 for DIP Switch settings

2.2.4 Wiring the Detector Module.

- a. Insert the cables into the metal enclosure base through one of the conduit openings. Refer to Figure 6
- b. Connect the 24 Volt DC power supply wires to pins 1 (-) and 4 (+) of the J1 or J2 connector observing the correct polarity. Refer to Figure 2. Firmly tighten down the two slotted screws with a small screwdriver taking care not to over-tighten the screws.

Pins 2 and 3 of the J1 and J2 connectors are the RS-485 interface used only for downloading the FirePic from the Detector's non-volatile memory, or for viewing the Tri-Mode Plot. It is recommended to wire pins 2 and 3 to a separate junction box and properly identify them for future use. A color-coded, multi-connector, shielded, UL-rated cable with 18 to 24-gauge wire is recommended for connecting to J1 or J2. The following color-coding is suggested as a guideline:

Pin 1	Pin 2	Pin 3	Pin 4
Black	Green or Blue	White or Yellow	Red
DC Return (-)	RS-485(-)	RS-485(+)	+24 VDC Power (+)



*Fault relay is shown in the *energized* condition during normal operation (No Fault)

Figure 2: Bottom View of SS4-AUV/-AUV2 Detector Module

2.2.5 Wiring the SS4-AUV/-AUV2 Detector for 4 or 20 mA Current Mode Operation (Optional)

For applications requiring a 4-20 mA analog output, order the Detector with the Optional 4-20 mA Module Assembly, P/N MA420-4. The module must be Factory installed and certified along with the Detector.

The following analog output levels are available from the Detector equipped with the MA420-4 Module. The module is capable of driving a maximum load impedance of 283 Ohms:

NORMAL Operation	4 +/- 0.6 mA
ALARM	20 +/- 0.6 mA
FAULT	< 0.6 mA

To use the analog output of an SS4-AUV/-AUV2, make the following connections:

24 V DC	J2, pin-4
24 V DC RTN	J2, pin-1
4-20 mA output	J5, pin-4 (+)
4-20 mA RTN	J1, pin-1 (-)

The fire Alarm and fault relays of the Detector equipped with the MA420-4 Module are not usable. However the Detector's Verify Relay may still be used as a separate Fire Alarm output. Refer to Table 2: "Configuration DIP Switch Settings" to set DIP switches properly.



NOTE: J1 is a "loop through" connection to J2. The +24 V supply is connected to J2 pin 4. The red lead connection of the MA420-4 must stay in J1, pin-4. Also, the 8.66 K Ohm supervising resistor **must** remain connected at the Fire Alarm relay contacts J4 pin-4 to J4 pin-1, or a Fault condition will occur.

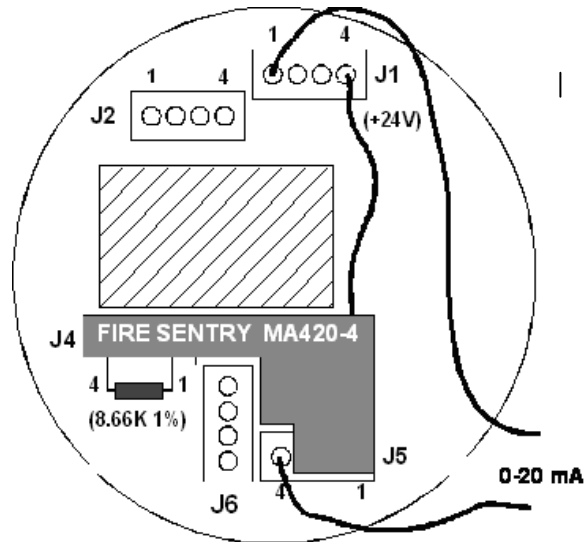


Figure 3: SS4 Detector Module with MA420-4 Installed (Rear View)

2.2.6 Wiring the Detector Relays

- a. Insert relay cables into the Detector enclosure base through one of the conduit openings. Refer to Figure 6.
- b. **Fire Alarm Relay** - Connect wires for Fire Alarm to the appropriate J4 terminals of the Detector. For Normally **Open** relay contacts, install wires into pins 3 and 4 and firmly tighten down the slotted screws with a small screwdriver. The Fire Alarm relay is *de-energized* during normal operation and will *energize* when detecting a fire.
- c. **Fault Relay** – Connect wires for Fault to the appropriate terminals of the J5 connector. For **Normally Closed** relay contacts, install wires into pins 3 and 4 and firmly tighten down the slotted screws with a small screwdriver. The fault relay is *energized* during normal operation and with no fault detected, as shown in Figure 2. The fault relay will *de-energize* when a fault is detected.

2.2.7 Replacing the Detector Module in the Enclosure.

- a. Carefully re-install the module over the three metal standoffs and screw it down with the three captive screws to the standoffs.
- b. If necessary, clean the Detector' sensors and windowed cover per instructions of Section 3.2.
- c. Securely screw down the metal enclosure top windowed cover and tighten the Allen-head "tamper-proof" screw.

2.3 Enclosure Installation (optional)

2.3.1 Installing the Detector on the Swivel Mount (SM2) or SS Extra Duty (SM4) Swivel Mount

- a. Select fasteners for the swivel mounting such that they will secure it to the type of material at the enclosure location.
- b. Mount the swivel-mount to the wall assuring correct orientation.
- c. Install the mounting bracket onto the Detector enclosure using the #1/4-20 or #6 mm screws and nuts provided. If oriented correctly, the outside contours of the mounting ears on the Detector enclosure and the ends of the bracket will match. The large diameter of the threaded insert should face the enclosure.
- d. Screw the enclosure/bracket assembly onto the ball or swivel stud. Turn the Detector until the stud bottoms against the enclosure. **Do not tighten.** While holding the enclosure, tighten the jam nut against the bracket.
- e. While holding the enclosure, loosen the socket head screw on the SM2 swivel-mount or swivel release bolt. Position the enclosure in such a way that the conduit openings are located horizontally at the bottom on the SM4. Point the enclosure in the desired direction and tighten the appropriate hardware.

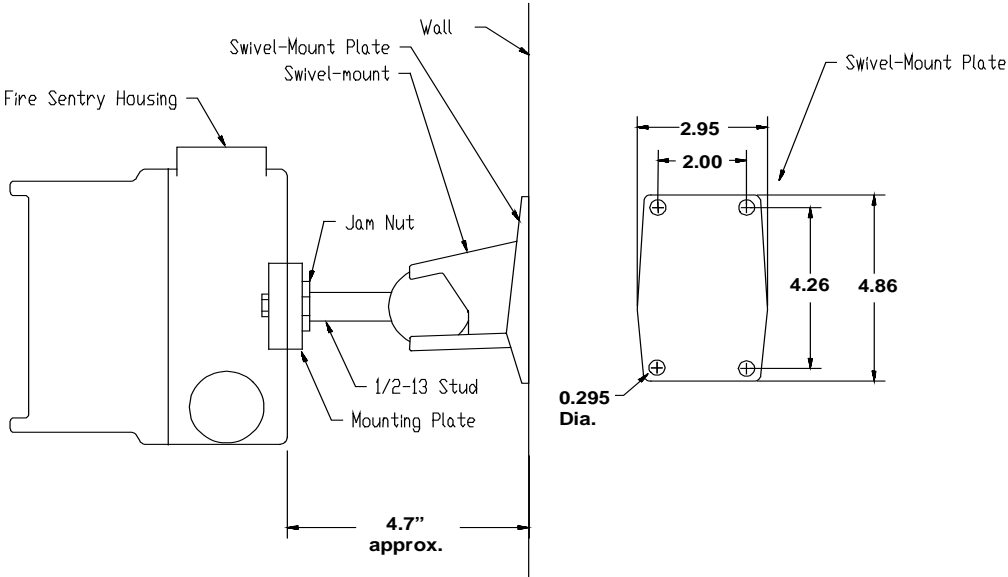


Figure 4: Model SM2 Swivel Mount

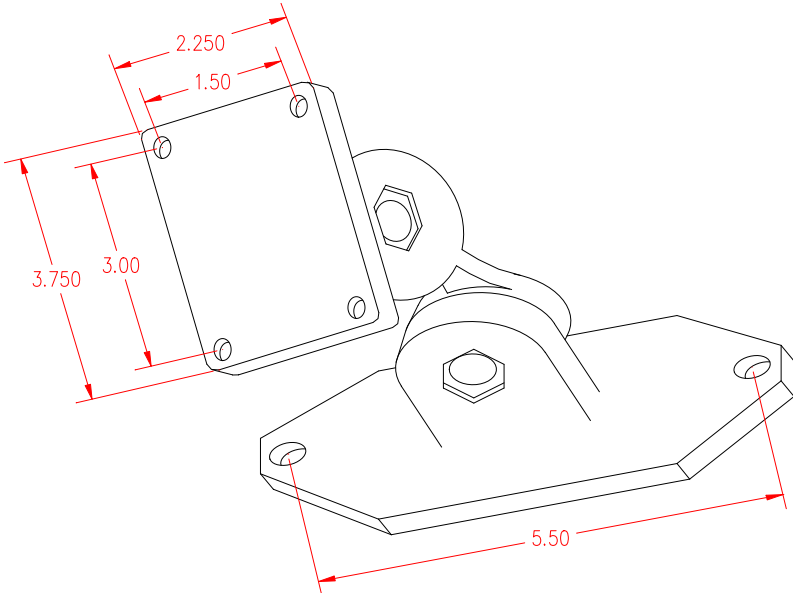


Figure 5: Model SM4 Stainless Steel Swivel Mount

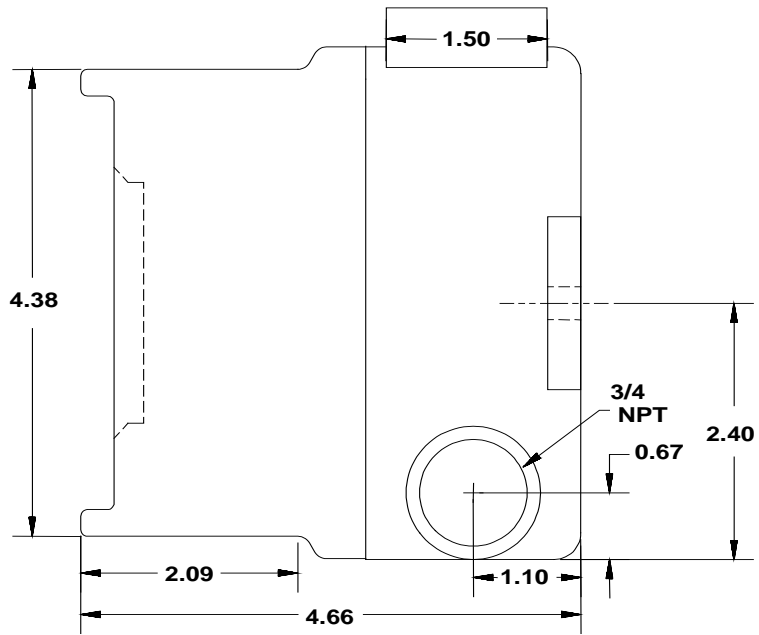


Figure 6: Model SS4-AUV/AUV2 Detector Enclosure - Side View

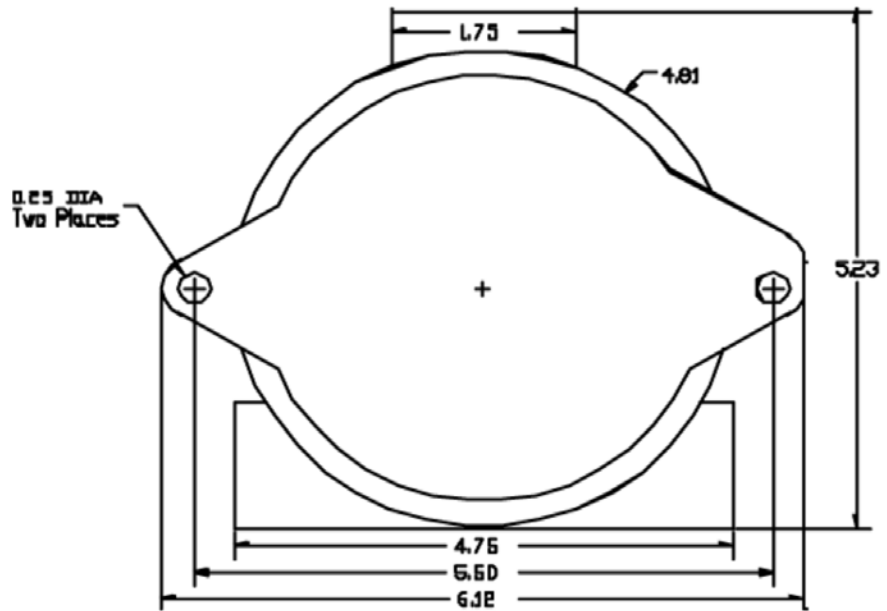


Figure 7: Model SS4-AUV/AUV2 Detector Enclosure - Rear View

SECTION 3 TROUBLESHOOTING AND MAINTENANCE

3.1 Model SS4-AUV/-AUV2 Detector Faults

The Model SS4-AUV/-AUV2 Detector issues a Fault (or Trouble) condition by de-energizing the Fault Relay (J5 connector). The following are Model Detector Faults:

- a. **Temperature Fault:** The Detector faults if the internal temperature during operation rises above 85°C or falls below -40°C causing both LEDs to blink rapidly. Corrective action for this type of fault requires factory re-certification.
- b. **Excessive Input Voltage Fault:** The Detector faults if the input voltage is too high (greater than 45 Volts) causing both LEDs to blink rapidly. Corrective action for this type of fault requires factory re-certification.
- c. **Low Input Voltage Fault:** The Detector faults if the input voltage is too low. The user should check the voltage between Pins 1 and 4 of the power connector J1 or J2. In this case one LED is on until the fault is corrected. If the voltage is below 15 Volts the user should check the wiring and the power supply.
- d. **No Power Fault:** The Detector faults if the input voltage is interrupted or turned off causing the absence of LED indication. The user should measure the voltage between Pins 1 and 4 of the power connector J1 or J2. If none or very low voltage is measured, the user should check the wiring and the power supply.
- e. **Detector Fault:** The Detector faults if its Optical Sensors fail the automatic built-in “through the lens” test. In this case one LED is on until the fault is corrected. The user should first clean both inside and outside of the lens thoroughly, then clean the exposed surface of the Detector sensors and the protective grill mounted on the outside of the housing cover. If the fault has not been eliminated after re-assembly and powering up for 10 to 15 minutes, factory service may be necessary.
- f. **Relay Fault:** The Detector faults if one of its Relay circuits fails. In this case one LED is on until the fault is corrected. The user should return the unit to the factory for service.
- g. **Self-Checking Fault:** The Detector faults if its internal microprocessor finds a failure during self-checking of the hardware and software. In this case one LED is on until the fault is corrected. This type of fault may be caused by a number of reasons. The user should verify proper grounding of the device and the absence of noise on the power cables. If fault persists the user should return the Detector to the factory for service.
- h. **Analog “0” current:** All the above faults will produce an output current loss ($0 \pm 0.6\text{mA}$) with the 4-20 mA module option.

3.2 Cleaning Windowed Enclosures and Detectors

The optical window (lens) of the Model SS4-AUV/-AUV2 Detector should be cleaned periodically on a regular maintenance schedule. For clean area applications, perhaps monthly cleaning schedule will be sufficient. For extremely contaminated application environments, such as truck filling stations with presence of black carbonaceous smoke, daily cleaning schedule may be necessary.

Clean the window of the Detectors each time they are handled, the windows appear contaminated, fails Built-In-Test, or the Detector fails an end-to-end test with a handheld UV/IR Test Lamp FT-2045 or FT-2145. If necessary, clean the Detector Module Sensors each time the Detector has been disassembled for wiring or replacement.

Use a blast of an air hose or an oil-free cloth to clean the enclosure window. Oil degrades the performance of UV Detectors. Occasionally, the use of a solvent, such as alcohol is acceptable. No disassembly of the Detector is required.



DO NOT USE SILICONE-BASED OR COMMERCIAL WINDOW CLEANING PRODUCTS. THESE WILL DEGRADE THE MODEL SS4-AUV/-AUV2 DETECTOR PERFORMANCE.



WARNING: Potential electrostatic hazard. Do not rub with dry cloth.

3.3 Personnel Training

Troubleshooting of the Model SS4-AUV/-AUV2 Detector should be performed only by qualified authorized personnel observing all standard safety practices. Although the Detector operates on safe 24 Volts DC, the FM Approved or UL listed Fire Alarm Panel's power supply may operate on life threatening 120 or 240 Volts AC.



WARNING: Hazardous voltages may be present during testing procedures. Serious injury or death may result due to failure to observe safety precautions.



CAUTION: Model SS4 Detector modules and their components are susceptible to permanent damage due to electrostatic discharge (ESD). DO NOT handle a module without adequate grounding precautions.

3.4 Detector Repair

Return the defective module to the factory for repair service.



There are NO user serviceable parts in a Detector module.

If the Model SS4-AUV/-AUV2 Module must be shipped back to the factory for repair, it **MUST** be packed in static protective material. If not available, the Module should be carefully wrapped with aluminum foil. An RMA (Return Material Authorization) is required for all returns to the factory. Contact Honeywell Analytics Customer Service or your Distributor for an RMA number **before** shipping a unit back to the factory.

SECTION 4 DETECTOR CONNECTIONS & SWITCH OPTIONS

4.1 Detector Connections

TABLE 1: Stand-Alone Model SS4-AUV/-AUV2 Detector Connectors - Pinouts

J1: DETECTOR INPUT POWER

PIN

- 1 DC Return (-)
- 2 RS-485 Connection to an optional interface unit for viewing FirePic and TriMode Plot.
- 3 RS-485 Connection to an optional interface unit for viewing FirePic and TriMode Plot.
- 4 Power (+24 Volts DC)

J2: DETECTOR POWER OUT

PIN

- 1 DC Return (-)
- 2 RS-485 Connection to an optional interface unit for viewing FirePic and TriMode Plot.
- 3 RS-485 Connection to an optional interface unit for viewing FirePic and TriMode Plot.
- 4 Power (+24 Volts DC)

J4: FIRE RELAY

PIN

- 1 Fire Relay Common
- 2 Fire Relay Normally Closed
- 3 Fire Relay Common
- 4 Fire Relay Normally Open

J5: FAULT RELAY (Energized)

PIN

- 1 Fault Relay Normally Open
- 2 Fault Relay Common
- 3 Fault Relay Normally Closed
- 4 Fault Relay Common

J6: FIRE VERIFY RELAY

PIN

- 1 Verify Relay Common
- 2 Verify Relay Normally Open
- 3 Verify Relay Common
- 4 Verify Relay Normally Closed

4.2 Detector Switch Options

TABLE 2: Configuration DIP Switch Settings

Verification Time

DIP SWITCH 1	DIP SWITCH 2	DIP SWITCH 3	DESCRIPTION
closed	closed	closed	Verify is disabled and the Verify Relay is unused. Factory setting
closed	open	open	Verify is enabled and the Verify time is 5 seconds.
open	closed	open	Verify is enabled and the Verify time is 10 seconds.
closed	closed	open	Verify is enabled and the Verify time is 15 seconds.
open	open	closed	Verify is enabled and the Verify time is 20 seconds.
closed	open	closed	Verify is enabled and the Verify time is 25 seconds.
open	closed	closed	Verify is enabled and the Verify time is 30 seconds.
open	open	open	Verify is disabled and the Verify Relay operates as a second Fire Relay.

Latching

DIP SWITCH 4	DESCRIPTION
open	Non-Latching mode. If Verify is enabled then the Verify Relay will de-energize approximately 10 seconds after it energizes. If Verify is disabled then the Fire Relay(s) will de-energize approximately 10 seconds after it energizes. The SS4-A2 Factory setting is Non-Latching
closed	Latching mode. If Verify is enabled then when the Verify Relay energizes it will remain energized until the Detector is reset. If Verify is disabled then when the Fire Relay energizes it will remain energized until the Detector is reset. The SS4-A Factory setting is latching

DIP SWITCH 5	DESCRIPTION
N/A	DIP SWITCH 5 is not used in the SS4-AUV/-AUV2

Test Cycle

DIP SWITCH 6	DESCRIPTION
open	Testing of the Lens occurs every 30 minutes. Factory setting
closed	*Testing of the Lens occurs every 6 minutes

* Utilization of the 6-minute period may adversely affect the source tube service life.

Fire Range

DIP SWITCH 7	DIP SWITCH 8	DESCRIPTION
open	open	Set to detect an industry standard 1 sq. ft. fire at 15 ft. on axis.
closed	open	Set to detect an industry standard 1 sq. ft. fire at 30 ft. on axis.
open	closed	Set to detect an industry standard 1 sq. ft. fire at 45 ft. on axis. Factory setting
closed	closed	Set to detect an industry standard 1 sq. ft. fire at 60 ft. on axis.

SECTION 5 OPTIONAL ACCESSORIES

5.1 **Air Shield for Applications in Contaminated Environment (Part No. DASA1-P)**

For installation in areas with high levels of airborne contaminants the Detector Air Shield should be mounted to the Flame Detector housing. The Airline fitting accepts ¼" O.D. nylon tubing for an instrument grade air supply of 5 to 15 psi @ 6 cubic ft. per minute.

5.2 **PC Software Kit (2029-INTERFACE-KIT)**

PC DOS Software Kit installation facilitates access to FirePic™ and SnapShot™ and provides Detectors operation monitoring capability through the Detector's RS485 connections. The Kit includes an Interface Box, a PC software diskette, an RS485 and RS232 cables, and a 120 VAC/12 VDC charger. Optional 220 VAC/12 VDC charger is also available upon request.

5.3 **4-20 mA Option (MA420-4)**

The 4-20 mA module is by Factory Mutual (FM) recognized device to be used with all approved SS4 type Detectors. Honeywell Analytics is required by FM to install this device at the factory and certifies this option along with the Detector. Refer to Section 2.2.5 for system wiring details.



NOTE: Converting Field units of the SS4 Stand-alone relay type to the 4-20 mA version requires the unit be returned to the factory for installation and certification.

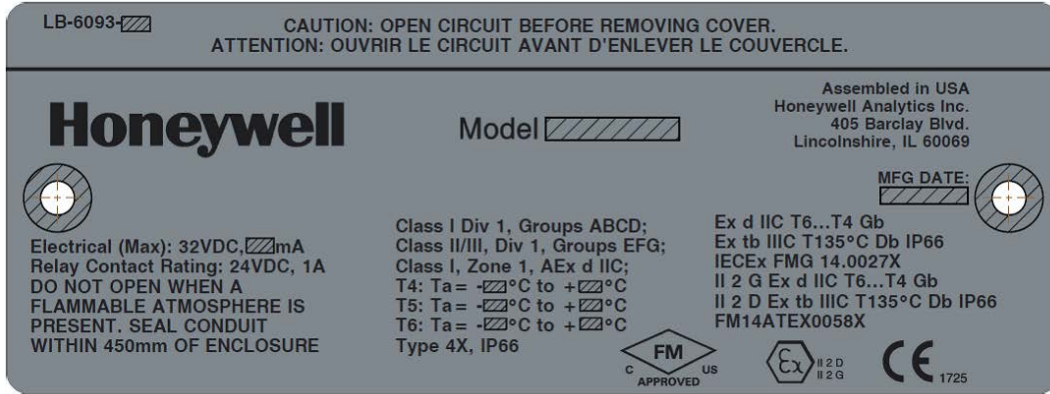
5.4 **Detector Mounts (SM2 or SM4)**

The heavy duty steel Swivel Mount (SM2) or extra duty Stainless Steel Swivel Mount (SM4) may be utilized for mounting the SS4 type Detectors. Refer to Section 2.3 for details.

5.5 **Test Lamp (FT-2045 or FT-2145)**

This battery powered, portable, explosion-proof handheld test source for remote activation of the SS4 type Detectors simulates the radiant energy emitted by an actual fire in order to test the Detectors operation without the need for an open flame. The unit is rechargeable with a 120VAC / 12VDC charger. Optional 220 VAC/12 VDC charger is also available upon request.

SECTION 6 DETECTOR LABEL DRAWINGS



Part Number	Model Number	Material	Background Color	Text Color	mA	T4	T5	T6
LB-6093-045	SS4	0.020' Al 1100-H14	Black	White	75	-40°C to +85°C	-40°C to +75°C	-40°C to +60°C
LB-6093-046	SS4	0.020' 316 Stainless Steel	Polished	Black	75	-40°C to +85°C	-40°C to +75°C	-40°C to +60°C
LB-6093-047	SS4	0.020' Al 1100-H14	Black	White	75	-40°C to +85°C	-40°C to +75°C	-40°C to +60°C
LB-6093-048	SS4	0.020' 316 Stainless Steel	Polished	Black	75	-40°C to +85°C	-40°C to +75°C	-40°C to +60°C

INDEX

Cleaning Products	21	Installation	13, 14
Conduit.....	13	Conduit	13
Detector		Detector	14
Cleaning	21	Enclosure	17
Enclosure	17	Precautions	13
LEDs.....	9	Procedure.....	14
Maintenance Schedule	21	Static Damage	13
Pinouts.....	15	Junction Box.....	13
Status	9	Layout Planning	13
Wiring	15, 23	Maintenance	20
Detector Fault		Optional Accessories.....	25
High Temperature.....	20	Personnel - Qualified	21
Input Voltage	20	Power.....	14
No Power	20	Relay	
Relay.....	20	Fault	23
Self-Checking	20	Fire	23
Detector Repair.....	22	Stand-Alone.....	8
ESD	13	Static Damage	13
FireBus.....	8	Swivel Mount	17
FireBus		Test Lamp	25
Wiring	13	Test Source	10, 11, 12
Grounding.....	13	Theory of Operation	9
		Troubleshooting	20

Limited Warranty

Honeywell Analytics warrants its Products against defects in material and workmanship under normal use and service for a period of two (2) years from the date of shipment as described herein. Honeywell Analytics, at its option, will repair or replace, at no charge, such products found to be defective during the warranty period provided that they are returned in accordance with the terms of this warranty. Replaced parts or boards are warranted for the balance of the original applicable warranty period. All Replaced parts of Products shall become the property of Honeywell Analytics. This express limited warranty is extended by Honeywell Analytics to the original purchaser only and is not assignable or transferable to any other party. This is the complete warranty for the Products manufactured by Honeywell Analytics. Honeywell Analytics assumes no obligations or liability for additions or modifications to this warranty unless made in writing and signed by an officer of Honeywell Analytics. Honeywell Analytics does not warrant the installation, maintenance or service of its Products. Honeywell Analytics is not responsible in any way for ancillary equipment not furnished by Honeywell Analytics, which is attached to or used in connection with its Product(s), or for operation of the Product(s) with ancillary equipment and all such equipment if expressly excluded from this warranty. This warranty sets forth the full extent of Honeywell Analytics' responsibility regarding the Products' repair or replacement at Honeywell Analytics' options, is the exclusive remedy.

This Warranty is given in lieu of all other Express Warranties, Implied Warranties, including without limitation, Implied Warranties of Merchantability and fitness for a particular purpose, are limited to the duration of this Limited Warranty. In no other event shall Honeywell Analytics be liable for damages in excess of the purchased price of the product(s), for any loss of use, loss of time, inconvenience, commercial loss, lost profits or savings or other incidental, special or consequential damages arising out of or in connection with the use or inability to use such product, to the full extent such may be disclaimed by law.

THIS WARRANTY DOES NOT COVER:

1. Defects or damage resulting from use of the Product(s) in other than its normal and customary manner.
2. Defects or damage from misuse, accident, or neglect.
3. Defects or damage from improper testing, operation, maintenance, installation, alteration, modification or adjustment.
4. Product(s) subject to unauthorized Product modifications, disassemblies or repairs (including, without limitation, the addition of the product of non-Honeywell Analytics supplied equipment) which adversely affect performance of the Product(s) to interfere with Honeywell Analytics' normal warranty inspection and testing of the Product(s) to verify any warranty claim.
5. Product(s) that have had the serial number removed or made illegible.
6. Freight cost to the repair facility.
7. A Product which due to illegal or unauthorized alteration of the software/firmware in the Product, does not function in accordance with Honeywell Analytics' specifications.
8. Scratches or other cosmetic damage to Product surfaces that do not affect the operation of the Product.
9. Normal and customary wear and tear.

Laws in the United States and other countries preserve for Honeywell Analytics certain exclusive rights for copyrighted Honeywell Analytics software/firmware, such as the exclusive rights to reproduce in copies and distribute copies of such Honeywell Analytics software/firmware. Honeywell Analytics software/firmware may be used only in the Product(s) in which the software/firmware was originally embodied and such software/firmware in such Product(s) may not be replaced, copied, distributed, modified in any way, or used to produce any derivative thereof. No other use including, without limitation, alteration, modification, reproduction, distribution, or reverse engineering of such Honeywell Analytics software/firmware or exercise or rights in such Honeywell Analytics software/firmware is permitted. No license is granted by implication, estoppel or otherwise under Honeywell Analytics patent rights or copyrights.

Contact Honeywell Analytics

Americas

Honeywell Analytics Inc.
 405 Barclay Blvd.
 Lincolnshire, Illinois
 USA 60069
 Email: detectgas@honeywell.com

Europe

Life Safety Distribution AG
 Javastrasse 2
 8604 Hegnau
 Switzerland
 Email: gasdetection@honeywell.com

Asia Pacific

Honeywell Analytics Asia Pacific Co., Ltd.
 #701 Kolon Science Valley (1)
 43 Digital-Ro 34-Gil, Guro-Gu
 Seoul, 152-729
 Korea
 Email: analytics.ap@honeywell.com

Internet

These Honeywell websites may be of interest to Industry Solution customers.

Honeywell Organization	URL
Corporate	www.honeywell.com
Honeywell Analytics	www.honeywellanalytics.com

Telephone

Contact us by telephone at these numbers.

Organization	Phone Number
Americas Honeywell Analytics Inc.	1-800-538-0363 1-800-321-6320
Europe Life Safety Distribution AG	{32-2} 728-2711
Asia Pacific Honeywell Analytics Asia Pacific Co., Ltd.	+82 2 6909 0321 VOIP: +8 5401 0321

Honeywell

1998M0913

Rev. A

July, 2014

© 2014 Honeywell International Inc.