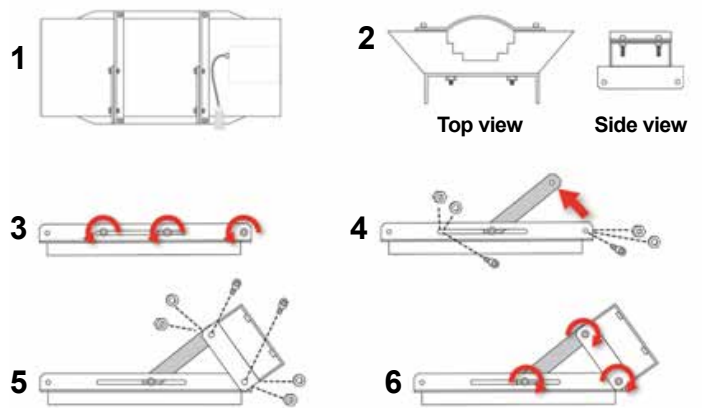


# SolarPak Installation Instructions

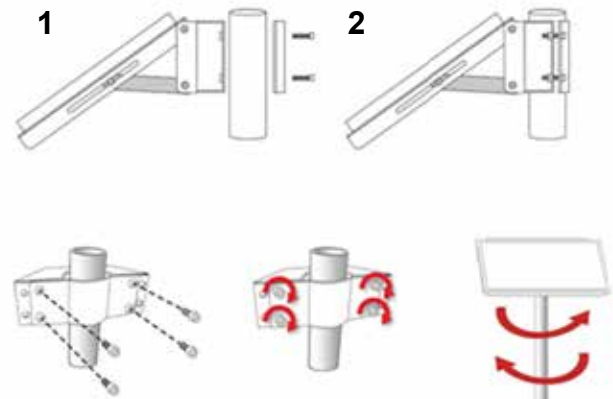
1. Remove the solar panel and place it face-down on a soft surface (cloth, carpeting, etc.).
2. Remove the pole-mounting assembly.
3. Loosen the screws holding the two arms to the brackets on the back of the solar panel, as well as the two extra screws.
4. Remove the screw, washer, and nut at the end of each bracket, as well as the two extra screws, and raise the two arms.
5. Line up the holes of the pole-mounting assembly with the holes at the ends of the two arms and insert the hex screws. Slip washers and nuts over the ends of those four screws.
6. Tighten all six screws with your fingers. Do not tighten them too much, since you will perform adjustments when the SolarPak is attached to a wall or pole.
7. Slide the assembly and arms to make sure the arms move freely.



## Pole Mounting

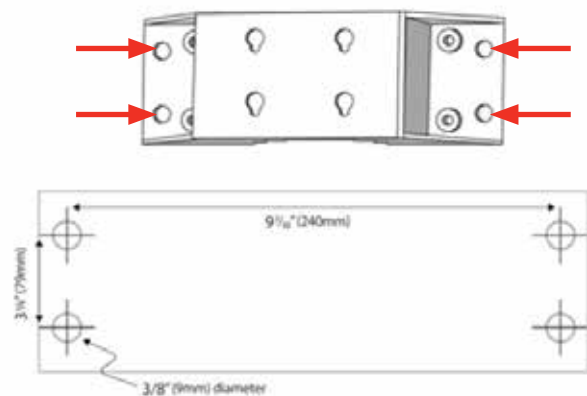
1. Align the bracket's two parts with the pole and insert the four hex screws.
2. Tighten the screws until the unit is snug, but can still be swiveled for adjustment.

Follow the instructions in the User's Guide for setting the correct solar panel tilt angle and north/south orientation. After making all adjustments, tighten all of the screws with the hex wrench.



## Wall Mounting

1. Find the best location on a strong wall that can support the weight of the SolarPak.
2. Mark and drill holes in the wall to accommodate screws to hold the mounting plate. Hole spacing and orientation are shown in the diagram at right. If necessary, install anchors (if the SolarPak is to be fastened to a masonry or brick wall).
3. Fasten the wall/pole mounting plate to the wall with four screws through the round holes at the edges of the mounting plate.
4. Hang the SolarPak on the channel-bracket from the pole-mounting assembly, matching the four screws four "keyhole" slots.



# SolarPak Kit Contents



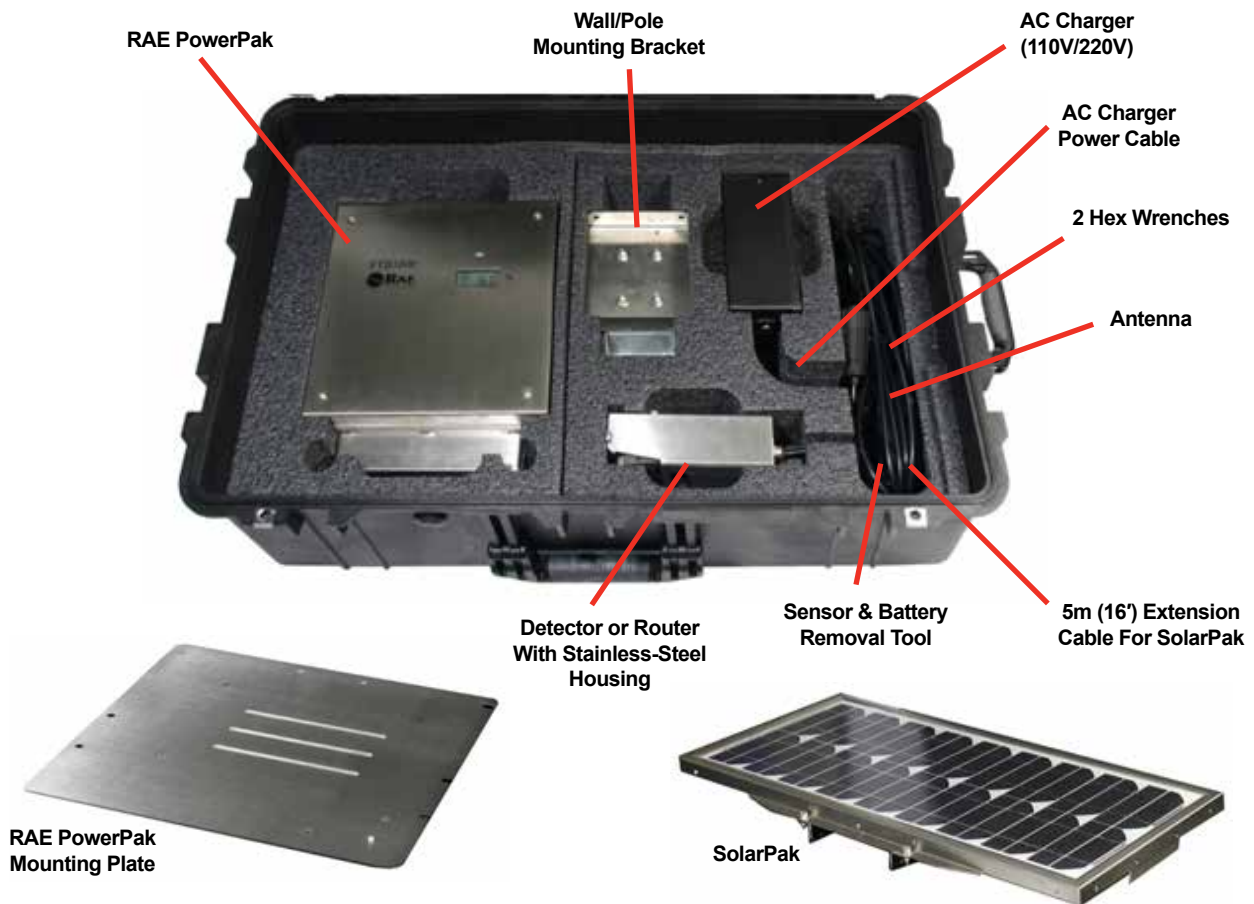
1. Open the case and remove the SolarPak solar panel.



2. Remove the foam insert that the SolarPak fits into.



3. Remove the mounting plate for the FTB1000, along with the protective foam sheet underneath it.



#### Find out more

[www.honeywellanalytics.com](http://www.honeywellanalytics.com)

#### Contact Honeywell Analytics:

##### Europe, Middle East, Africa

Life Safety Distribution AG  
Javastrasse 2  
8604 Hegnau  
Switzerland  
Tel: +41 (0)44 943 4300  
Fax: +41 (0)44 943 4398  
[gasdetection@honeywell.com](mailto:gasdetection@honeywell.com)

##### Customer Service:

Tel: +800 333 222 44 (Freephone number)  
Tel: +41 44 943 4380 (Alternative number)  
Fax: +800 333 222 55  
Middle East Tel: +971 4 450 5800 (Fixed Gas Detection)  
Middle East Tel: +971 4 450 5852 (Portable Gas Detection)  
India Tel: +91 124 4752700

##### Americas

Honeywell Analytics Inc.  
405 Barclay Blvd.  
Lincolnshire, IL 60069  
USA  
Tel: +1 847 955 8200  
Toll free: +1 800 538 0363  
Fax: +1 847 955 8210  
[detectgas@honeywell.com](mailto:detectgas@honeywell.com)

##### Asia Pacific

Honeywell Analytics Asia Pacific  
#701 Kolon Science Valley (1)  
43 Digital-Ro 34-Gil, Guro-Gu  
Seoul 152-729  
Korea  
Tel: +82 (0)2 6909 0300  
Fax: +82 (0)2 2025 0328  
India Tel: +91 124 4752700  
[analytics.ap@honeywell.com](mailto:analytics.ap@honeywell.com)

##### Technical Services

EMEA: [HAexpert@honeywell.com](mailto:HAexpert@honeywell.com)  
US: [ha.us.service@honeywell.com](mailto:ha.us.service@honeywell.com)  
AP: [ha.ap.service@honeywell.com](mailto:ha.ap.service@honeywell.com)

[www.honeywell.com](http://www.honeywell.com)

#### Please Note:

While every effort has been made to ensure accuracy in this publication, no responsibility can be accepted for errors or omissions. Data may change, as well as legislation and you are strongly advised to obtain copies of the most recently issued regulations, standards and guidelines. This publication is not intended to form the basis of a contract.

# Honeywell

13432\_REV A\_11/2011  
H\_MAN0979\_EMEA  
P/N F06-4002-000  
© 2014 Honeywell Analytics