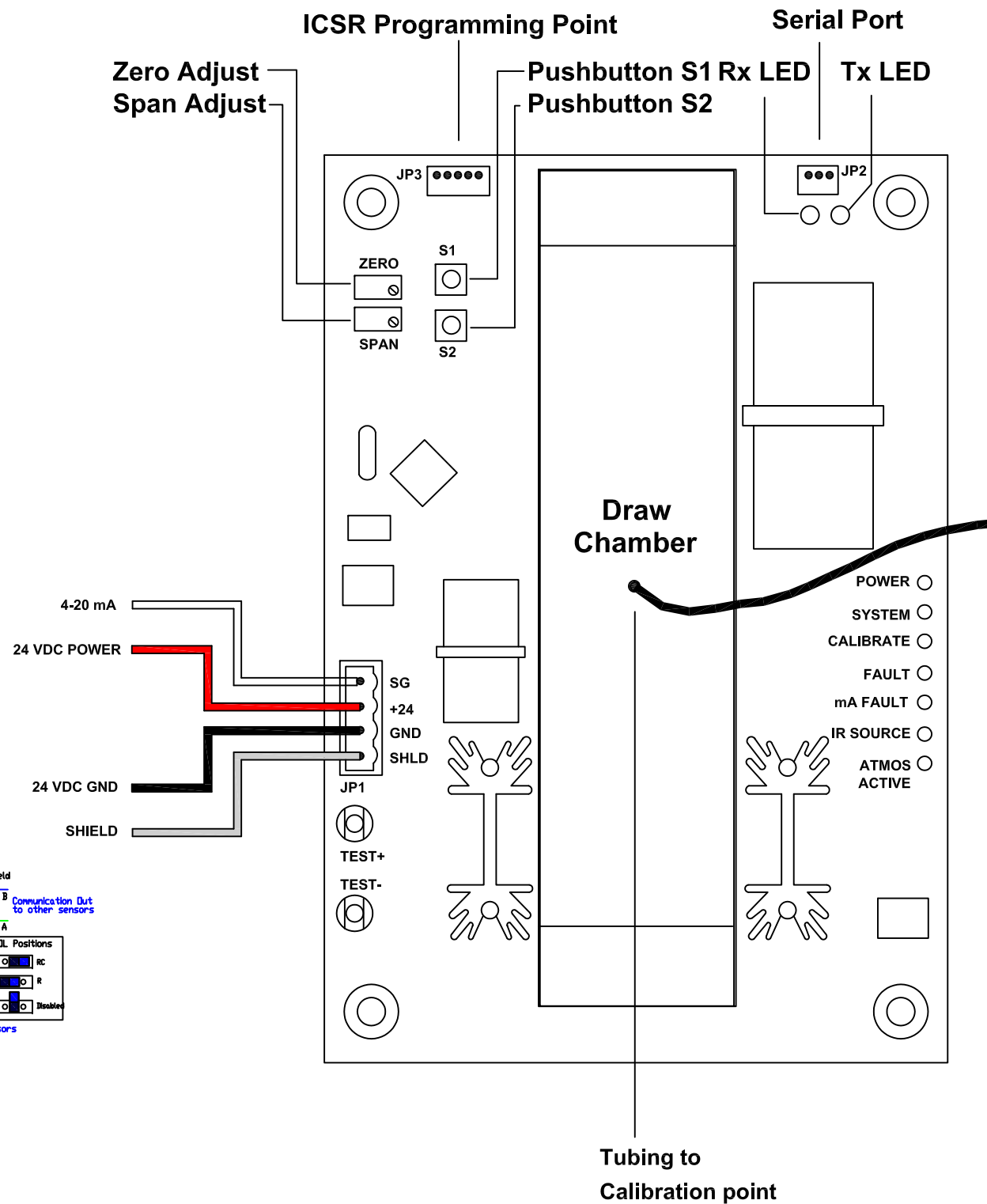
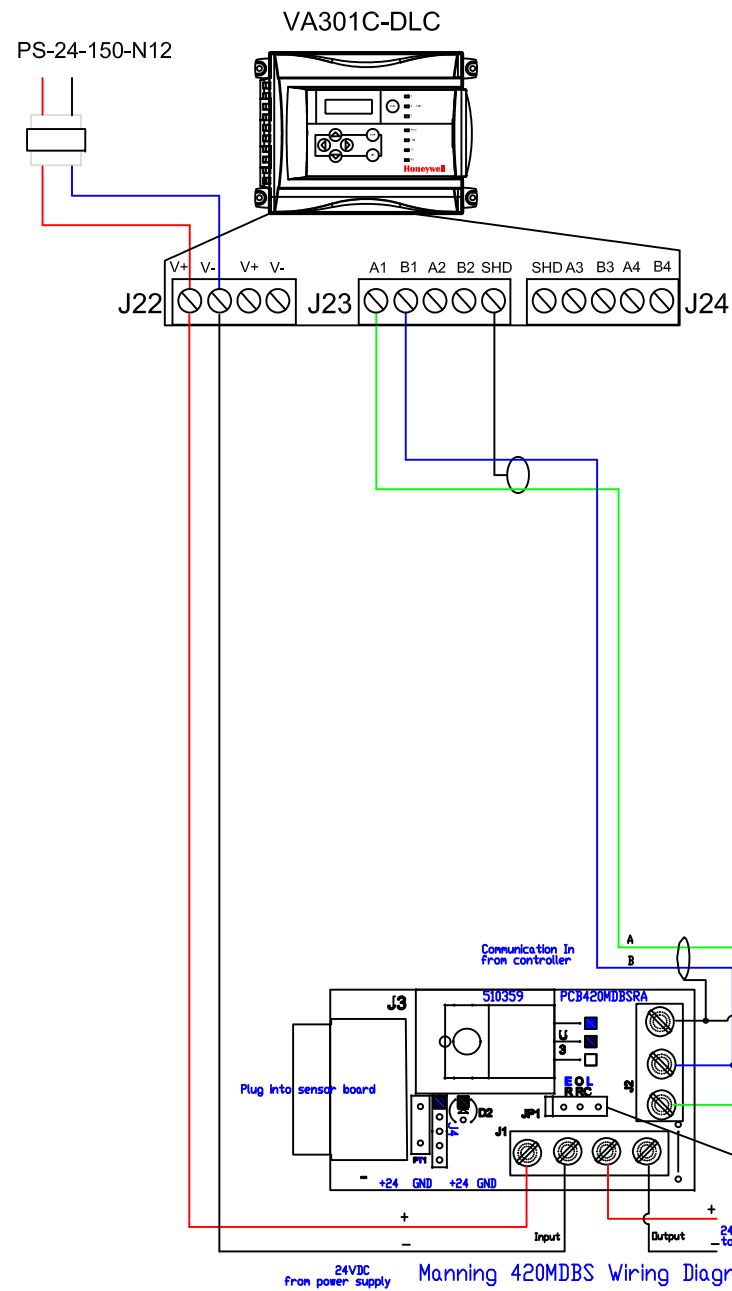


IRF9 WIRING DETAILS



Disclaimer
DRAWINGS ARE FOR MARKETING PURPOSES ONLY AND SHOULD NOT BE RELIED UPON BY CUSTOMER WHEN PURCHASING OR INSTALLING GAS DETECTION DEVICES. HONEYWELL IS NOT RESPONSIBLE FOR THE TYPE, SIZE, LOCATION AND SUITABILITY OF GAS DETECTION DEVICES SHOWN ON THE DRAWINGS. HONEYWELL MAKES NO CLAIM OR WARRANTY THAT THE DRAWING COMPLIES WITH LOCAL, STATE OR NATIONAL BUILDING OR SAFETY CODES. CODE COMPLIANCE IS THE SOLE RESPONSIBILITY OF THE CUSTOMER. HONEYWELL DISCLAIMS ALL WARRANTIES AND LIABILITY IN CONNECTION WITH THE DRAWING.

Project:	IRF9 WIRING DETAILS
Drawing number:	
Rev.	Date: SEPT 26, 2012
Drawn by:	SJI
# Command:	N/A
	Page: (1/1)

Honeywell 405 Barclay Boulevard
 Client: Lincolnshire, IL 60069
Analytics Tel.: 1-800-563-2967
 Fax.: 1-888-967-9938
 www.honeywellanalytics.com

VA301C	
relay 1:	ALARM LEVEL A
relay 2:	ALARM LEVEL B
relay 3:	SPARE
relay 4:	FAULT

Wiring VA301C		
Channel	Wire gage	Distance (ft)
1	14 AWG	1000
2	14 AWG	1000
3	14 AWG	1000

Communication Wire Gauge: 24-2 AWG (Belden 9841)
 Twisted and shielded cable 2000 feet (600 m) per channel
NOTE: CONDUIT ENTRIES ARE LOCATED AT THE BOTTOM OF THE ENCLOSURES.

See the wiring details on the sheets included.
 Consult the user guide for complete information.
 The Honeywell products must be easy to access for maintenance.

Type of gas:					
Alarm level A					
Alarm level B					
Alarm level C					