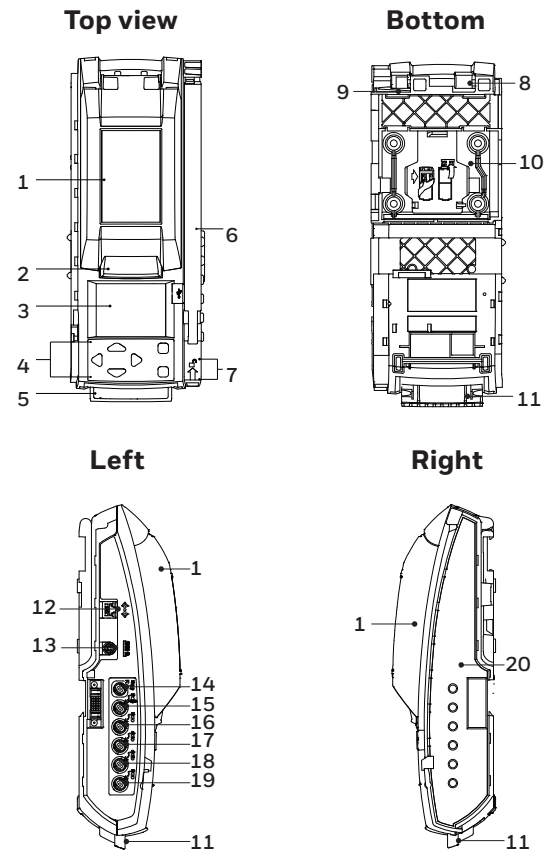


At a Glance



Touchpad and buttons

Button	Action
	Move right
	Move left
	Move up
	Move down
	Select menu item Save changes
	Close menu item Return to previous screen Cancel changes

LCD Backlight

Backlight Color	Status
Gray	Idle
Blue	Prompt for user action
Yellow	Activity in progress
Green	Activity successful
Red	Warning Activity Failed

Part	Num
Lid	1
Lid button	2
View screen	3
Navigation buttons	4
Gas module	5
Arm	6
Arm unlock	7
Hinge	8
Panel latch	9
Detachable back panel	10
Expansion module	11
Network connection	12
Power connection	13
Exhaust outlet	14
Purge inlet	15
Gas inlet 1	16
Gas inlet 2	17
Gas inlet 3	18
Gas inlet 4	19
End plate	20

Connect the Purge Inlet Filter Assembly

Each IntelliDoX Enabler Kit contains one purge inlet filter assembly. Unless otherwise specified, the purge inlet is configured to use ambient air in a fresh air environment with a normal atmosphere of 20.9% O₂ that is free of hazardous gas. Ensure that the purge inlet filter assembly is attached before using the IntelliDoX module. You may attach an extension tubing to the filter assembly to draw ambient air from an adjacent fresh air environment.

1. Ensure that the filter assembly is free of obstructions and defects.
2. Connect the filter assembly to the purge inlet.
3. If necessary, attach an extension tubing to the filter assembly to draw ambient air from an adjacent fresh air environment.

Connect the Exhaust Tubing

Each IntelliDoX Enabler Kit includes one exhaust tubing that is 4.57 meters (15 feet) long.

1. Inspect the exhaust tubing to ensure that it is free of obstructions and defects.
2. Connect the exhaust tubing to the exhaust outlet.
3. Ensure that the exhaust tubing is not connected to a negative pressure system, or obstructed in any way.

Connect the Power

Each IntelliDoX Enabler Kit contains one power supply and AC power cord. Use only the power supply provided in the Enabler Kit to connect the IntelliDoX Docking Module to an appropriate electrical power outlet. When the power is connected, the IntelliDoX activates and a self-test is performed.

1. Connect the AC power cord to the power supply.
2. Connect the power supply to the IntelliDoX power port.
3. Plug the AC power cord into a suitable wall outlet.
4. When the power is connected, the IntelliDoX LCD activates and a self-test is performed.

NOTICE

To prevent the corruption or loss of data and/or software and/or firmware, do not deactivate the equipment while performing datalog transfers, bump tests, calibrations or other operations.

Charge a Detector

Use the IntelliDoX to charge detectors fitted with rechargeable batteries. For more information on battery maintenance, refer to the detector manual.

1. Charge only in a normal environment that is 20.9% O₂ and free of hazardous gas. Do not operate the docking module in a hazardous area. Failure to adhere to this guideline can result in possible personal injury and/or property damage.
2. Deactivate the detector.
3. Insert the detector into the IntelliDoX module.
4. Battery charging begins immediately. Battery charging is disabled during bump test and calibration procedures.

Once tests and other routines are completed, you may leave the detector in the module for charging. If the detector is activated, the module will deactivate it after 10 minutes of inactivity. When charging is complete, remove the detector. Do not store the detector in the module.

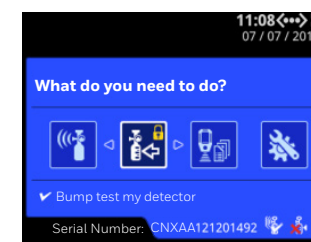
Prepare for Bump Tests and Calibrations

The IntelliDoX module is factory-configured for use with portable gas detectors. Gas inlets are configured at the factory. Inlet configurations cannot be altered. The IntelliDoX Enabler Kit includes quick connect fittings and calibration tubing cut to the minimum recommended length of 1 meter (39 inches). Use only tubing that is between 1 meter (39 inches) and 10 meters (33 feet) in length when you connect gas cylinders to an IntelliDoX module.

Connect Calibration Gas

1. Connect a demand flow regulator to the calibration gas cylinder.
2. Use the quick connect fittings and calibration gas tubing to connect the calibration gas cylinder to the gas.

Bump Test



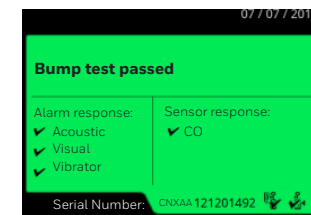
Bump test is a procedure that confirms a detector's ability to respond to target gases by exposing the detector to gas concentrations that exceed its alarm setpoints.

If AutoBump on Insertion is set using PC configuration software, then bump test starts automatically when IntelliDoX recognizes the detector. If AutoCal on

Overdue Sensors is enabled and if a calibration is also due, then no bump test is performed. Instead, calibration starts automatically when the detector is recognized.

1. Insert a detector.
2. Press and on the keypad to move to Bump test my detector on the IntelliDoX user menu.
3. Press to select Bump Test. The LCD screen background changes to yellow and the bump test progress screen is displayed.
4. The bump test begins. Test sequence progress screens are displayed while the tests are performed.
5. If AutoDownload Datalog is set using PC configuration software, detector datalogs are automatically transferred to IntelliDoX.

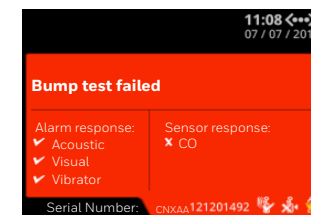
Bump Test Pass



When the bump test is successful, LCD screen background changes to green and Bump test passed message is displayed. Alarm response and sensor response test items are checked.

Press to return to IntelliDoX user menu.

Bump Test Fail



When the bump test fails, LCD screen background changes to red and Bump test failed message is displayed. Failed alarm response and/or sensor response test items are marked with **X**.

If the AutoCal on Failed Bump is set using PC configuration software, calibration automatically begins.

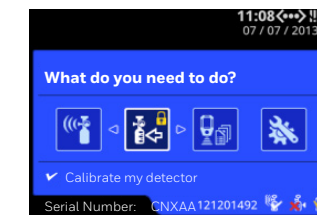
Calibration

Calibration is a two-step procedure that determines the measurement scale for the detector's response to gas. In the first step, a baseline reading is taken in a clean, uncontaminated environment. In the second step, the sensors are exposed to known concentrations of gas. The detector uses the baseline and known gas concentrations to determine the measurement scale.

Calibration Guidelines

1. Calibrate only in a normal environment that is 20.9% O₂ and free of hazardous gas. Do not operate the docking module in a hazardous area. Failure to adhere to this guideline can result in possible personal injury and/or property damage.
2. Use only premium grade calibration gases and cylinders that are approved by Honeywell, and supplied by Honeywell or an authorized distributor. The calibration gases must meet the accuracy of the detector. For more information, refer to the User Manual.
3. Do not use a gas cylinder beyond its expiration date.
4. All calibration cylinders must be used with a demand flow regulator and must meet these maximum inlet pressure specifications. Disposable cylinders: 000 psig/70 bar, refillable cylinders: 03000 psig/207 bar
5. Do not calibrate the detector during charging or immediately after charging.
6. Calibrate the sensor if ambient gas readings vary during startup.
7. Calibrate a new sensor before use. Allow the sensor to stabilize before starting calibration.
8. Used sensor: wait 60 seconds
9. New sensor: wait 5 minutes
10. When calibrating the same gas detector multiple times, wait 10 minutes between calibrations to allow the sensor to stabilize.
11. If a certified calibration is required, contact Honeywell or an authorized distributor.

Calibrate a Detector

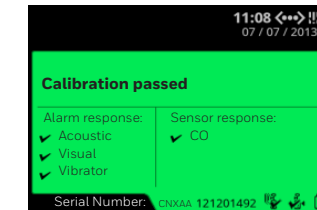


If AutoCal on Overdue Sensors is set using PC configuration software and sensors are overdue, then calibration starts automatically once IntelliDoX recognizes the detector.

1. Insert a detector.
2. Use and to move to Calibrate my detector on the IntelliDoX user menu.

3. Press to select Calibrate my detector. The LCD screen background changes to yellow and the calibration progress screen is displayed.
4. Calibration begins. Progress screens are displayed while the tests are performed.
5. If AutoDownload Datalog is set using PC configuration software, detector datalogs are automatically transferred to IntelliDoX.

Calibration Pass



When the calibration is successful, LCD screen background changes to green and Calibration passed is displayed. Alarm response and sensor response test items are checked. Press to return to IntelliDoX user menu.

Calibration Fail

When the calibration fails, LCD screen background changes to red and Calibration failed is displayed. Failed alarm response and/or sensor response test items are marked with **X**.