

301EM



**MODULE D'EXPANSION
EXPANSION MODULE**

**Manuel d'utilisateur
User Manual**

Gas Detection Device

301EM
User Manual

ERP 512720
2/09

Notices and Trademarks

**Copyright by Honeywell International Inc.
Release 512720 February 2009**






While this information is presented in good faith and believed to be accurate, Honeywell disclaims the implied warranties of merchantability for a particular purpose and makes no express warranties except as may be stated in its written agreement with and for its customers.

In no event is Honeywell liable to anyone for any indirect, special or consequential damages. The information and specifications in this document are subject to change without notice.

Honeywell Analytics
4005 Matte Blvd, Unit G
Brossard, Quebec, Canada, J4Y 2P4

Symbol Definitions

The following table lists the symbols used in this document to denote certain conditions:

Symbol	Definition
	ATTENTION: Identifies information that requires special consideration
	TIP: Identifies advice or hints for the user, often in terms of performing a task
	REFERENCE _ INTERNAL: Identifies an additional source of information within the bookset.
CAUTION	Indicates a situation which, if not avoided, may result in equipment or work (data) on the system being damaged or lost, or may result in the inability to properly operate the process.
	CAUTION: Indicates a potentially hazardous situation which, if not avoided, may result in minor or moderate injury. It may also be used to alert against unsafe practices. CAUTION: Symbol on the equipment refers the user to the product manual for additional information. The symbol appears next to required information in the manual.
	WARNING: Indicates a potentially hazardous situation which, if not avoided, could result in serious injury or death. WARNING symbol on the equipment refers the user to the product manual for additional information. The symbol appears next to required information in the manual.

Contents

INTRODUCTION	9
Description	9
Intended Use	9
Unpacking	9
INSTALLATION INSTRUCTIONS	10
Installation Guidelines	10
Wall Mount Installation	10
Recommended Sensor Installation Heights	11
Determining the Number of Transmitters	12
Range and Alarm Levels	13
Installing Optional Remote Sensors	14
WIRING DETAILS	16
System Wiring	16
Power Connections	17
Connecting sensors to transmitter	18
Communication to Controller	19
Relay Outputs	19
24 Vdc Output	20
4-20 mA Configuration	20
4-20 Output Configuration	22
CALIBRATION / PROGRAMMING	27
User Interface	27
Operating Mode	27
Pushbutton Definitions	28
Programming the Unit	29
Accessing the Programming Menus	30
Setting the Unit's Address	31
Configuring a Sensor	32
Changer the Sensor Address	32
Adding a new Sensor	33
Removing a Sensor	34

- Adding Remote Panels34
- Using the Service Menu35
- Using the SetEvent Menu36
 - Changing Event Configurations37
- Using the SetRelay Menu40
- Deactivating the Buzzer41
- Configuring the Unit's Alarms42
- Setting the Unit's Analog Outputs43
- Calibrating the Unit44
 - Connecting the Hardware44
 - Adjusting the Zero (If Required)45
 - Calibrating the Sensor46
- 301EM Specifications48
- 301IRFS Specifications49
- Maintenance51
 - Replacement Parts51
 - Cleaning51

APPENDIX A52

- Available Pre-programmed configurations52
 - Type 1 CND (B-52 Canadian Standard for R123)52
 - Type 2 CND (B-52 Canadian Standard for other Refrigerants)52
 - Type 3 US (ASHRAE 15 Standard for Refrigerants)53
 - Type 4 (Default configuration - other than B-52 and ASHRAE 15)54

LIMITED WARRANTY55

- Limited Warranty55
- Re-Stocking Policy55
- Exclusions56
- Warranty Limitation and Exclusion56
- Disclaimer of Unstated Warranties57
- Limitation of Liability57

Introduction

Description

Honeywell introduces a breakthrough innovation in refrigerant, toxic and combustible gas monitoring as part of our continued commitment to cutting-edge technology and customer satisfaction.

The result of extensive research and design, the 301EM uses the latest in infrared technology. The 301EM can have up to 20 sensors connected to allow for accurate monitoring of even the lowest gas concentration.

The 301EM (with an LCD display and keypad) can be installed in a location separate from the detection area, making it safer to monitor gas readings.

The 301EM also offers 4-20mA outputs, relay outputs, Modbus communication, audible alarm options and is compatible with our 301C controller.

Intended Use

The availability and costs associated with refrigerant gases make monitoring a necessity for managing equipment rooms. A Honeywell refrigerant detector provides early warning of refrigerant leaks, which enhancing the refrigerant conservation strategy by monitoring equipment room refrigerant gas concentrations. Toxic and combustible sensors can be linked to the 301EM, allowing it to meet the broadest range of customer requirements. The 301EM Expansion Module has been carefully designed with several factory programmed configurations that meet or exceed ASHRAE B-52 or 15-2201 standards.

Unpacking

After opening the package, remove the equipment and components. Please make sure that all the items described on the order form or bill of lading are actually in the box and are undamaged.

Installation Instructions

Installation Guidelines

These guidelines must be strictly observed to ensure that the equipment will work properly. If they are not applied, Honeywell will not recognize any liability in case of improper operation:

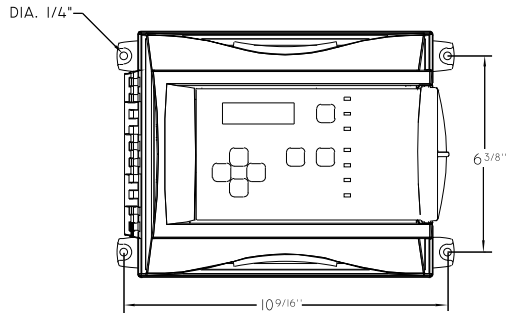
Make sure to locate all units easily accessible for proper service.

- Avoid any location where units could be subject to vibrations.
- Avoid any location close to any electromagnetic interference.
- Avoid any location where there are large temperature swings.
- Verify local requirements and existing regulations which may affect the choice of location.

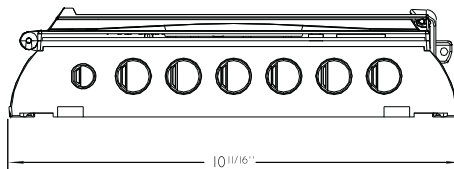
Wall Mount Installation

We recommend installing the monitor at a height of 1.5 m (4.9 ft) from the ground (eye level).

- Mark two holes 162mm (6 3/8") apart in height
- Mark two holes 268.3mm (10 9/16") apart in width
- Drill 6.35mm (1/4") holes and prepare as necessary
- Mount unit with appropriate screws



Remember to pass all wiring through knock-outs at base of unit, using the appropriate conduit.



Recommended Sensor Installation Heights

The installation heights recommended represent general guidelines. Always confirm with local laws and regulations before proceeding, as these take precedence over manufacturer's recommendations.

Detected Gas		Relative Density (air = 1)	Installation Height
CO	Carbon Monoxide	0.968	1 - 1.5 m (3 - 5 ft.) from floor
*NO2	Nitrogen Dioxide	1.58 (cold)	30 cm -1 m (1-3 ft.) from ceiling
H2	Hydrogen	0.07	30 cm (1 ft.) from ceiling
CL2	Chlorine	2.50	30 cm (1 ft.) from floor
H2S	Hydrogen Sulfide	1.19	30 cm (1 ft.) from floor
O2	Oxygen	1.43	1 - 1.5 m (3 - 5 ft.) from floor
HCL	Hydrogen Chloride	1.30	30 cm (1 ft.) from floor
HCN	Hydrogen Cyanide	0.932	30 cm (1 ft.) from ceiling
ETO	Ethylene Oxide	1.50	30 cm (1 ft.) from floor
SO2	Sulfur Dioxide	2.25	30 cm (1 ft.) from floor
R11	Refrigerants	5.04	30 cm (1 ft.) from floor
R12	Refrigerants	4.20	30 cm (1 ft.) from floor
R13B1	Refrigerants	5.14	30 cm (1 ft.) from floor
R114	Refrigerants	5.9	30 cm (1 ft.) from floor
R22	Refrigerants	3.11	30 cm (1 ft.) from floor
R123	Refrigerants	5.27	30 cm (1 ft.) from floor
R125	Refrigerants	4.14	30 cm (1 ft.) from floor
R134A	Refrigerants	3.52	30 cm (1 ft.) from floor
R227	Refrigerants	5.90	30 cm (1 ft.) from floor
R245A	Refrigerants		30 cm (1 ft.) from floor
R404A	Refrigerants	3.43	30 cm (1 ft.) from floor
R407C	Refrigerants	3.0	30 cm (1 ft.) from floor
R410A	Refrigerants	3.0	30 cm (1 ft.) from floor
R507	Refrigerants	3.43	30 cm (1 ft.) from floor
R508b	Refrigerants		30 cm (1 ft.) from floor
COMB	Most combustibles are heavier than air, with the exception of methane, hydrogen, ethylene and acetylene. Sensors for gases that are heavier than air should be installed approximately 30 cm (1 foot) from the floor. For combustibles that are lighter than air, sensors should be installed 30 cm (1 foot) from the ceiling, close to the potential leak source.		

* May differ in certain applications. Hot NO₂ from exhaust systems is lighter than ambient air.

Installation Instructions

Determining the Number of Transmitters

Determining the Number of Transmitters

The number of units required to protect an area is determined by the unit's detection radius, which depends on the type of gas detected, as shown in the following table.

Gas Detected		Surveillance Radius	Area Covered
CO	Carbon monoxide	15 m (50 ft)	707 m ² (7610 ft ²)
NO2	Nitrogen dioxide	15 m (50 ft)	707 m ² (7610 ft ²)
	Others	7 m (23 ft)	154 m ² (1658 ft ²)

Range and Alarm Levels

	Gas Detected	Range	Alarm A	Alarm B	Alarm C
CL ₂	Chlorine	0-15 ppm	0.5 ppm	1 ppm	13,5 ppm
CO	Carbon monoxide	0-250 ppm	25 ppm	200 ppm	225 ppm
H ₂ S	Hydrogen sulfide	0-50 ppm	10 ppm	15 ppm	45 ppm
NO ₂	Nitrogen dioxide	0-10 ppm	0.72 ppm	2 ppm	9 ppm
O ₂	Oxygen	0-25% Vol.	19.5% Vol.	22% Vol.	22,5% Vol.
SO ₂	Sulfur dioxide	0-10 ppm	2 ppm	5 ppm	9 ppm
R-123	Refrigerant	0-1000 ppm	50 ppm	500 ppm	900 ppm
R-11	Refrigerant	0-1000 ppm	250 ppm	500 ppm	900 ppm
R-12	Refrigerant	0-1000 ppm	250 ppm	500 ppm	900 ppm
R13B1	Refrigerant	0-1000 ppm	250 ppm	500 ppm	900 ppm
R114	Refrigerant	0-1000 ppm	250 ppm	500 ppm	900 ppm
R-22	Refrigerant	0-1000 ppm	250 ppm	500 ppm	900 ppm
R-125	Refrigerant	0-1000 ppm	250 ppm	500 ppm	900 ppm
R134A	Refrigerant	0-1000 ppm	250 ppm	500 ppm	900 ppm
R227	Refrigerant	0-1000 ppm	250 ppm	500 ppm	900 ppm
R245A	Refrigerant	0-1000 ppm	250 ppm	500 ppm	900 ppm
R404A	Refrigerant	0-1000 ppm	250 ppm	500 ppm	900 ppm
R407C	Refrigerant	0-1000 ppm	250 ppm	500 ppm	900 ppm
R410A	Refrigerant	0-1000 ppm	250 ppm	500 ppm	900 ppm
R507	Refrigerant	0-1000 ppm	250 ppm	500 ppm	900 ppm
R508b	Refrigerant	0-1000 ppm	250 ppm	500 ppm	900 ppm
Comb	Combustibles	0-100% LEL	25% LEL	50% LEL	90% LEL

A different alarm level may have been programmed in order to satisfy the constraints of a particular application.

Deadband and Accuracy

(Refrigerant detection)

The deadband is the area of signal or detection range where no action occurs. The IRF deadband is 20 ppm.

Installation Instructions

Determining the Number of Transmitters

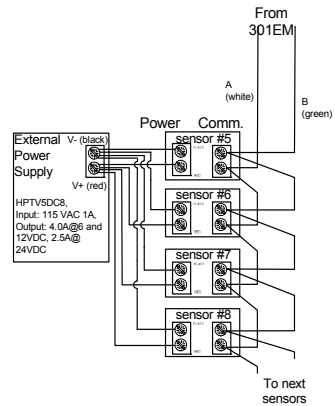
Installing Optional Remote Sensors

301IRFS Sensor

The refrigerant sensor should be installed at the recommended height, which is 30 cm (1 foot) from the floor.

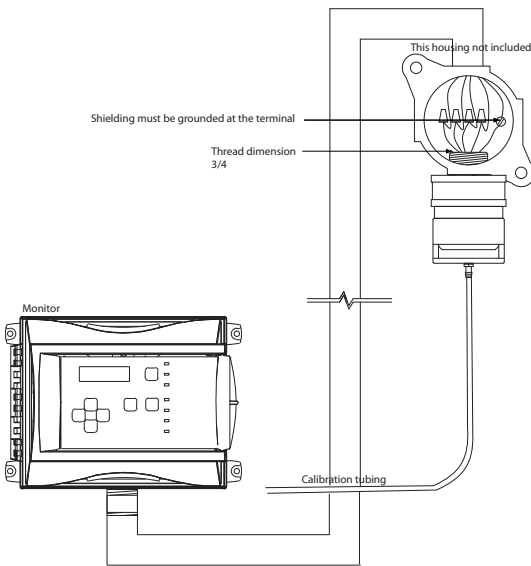
Communication cables should be 2-24 AWG, twisted and shielded (Belden 9841 or equivalent), which should be connected in a daisy chain from the 301EM (as shown).

Power cables should be 14 AWG cable, maximum length of 60 m (200 ft). The first four sensor power cables may be wired directly to the 301EM. Additional sensors require an external power supply (one per group of four sensors, to a maximum of 20 sensors in total), using the same rated cable as units wired to the 301EM.



S301D2 Remote Sensor

The drawing below illustrates the connection for a 301D2 sensor with the D2RS-PC option.



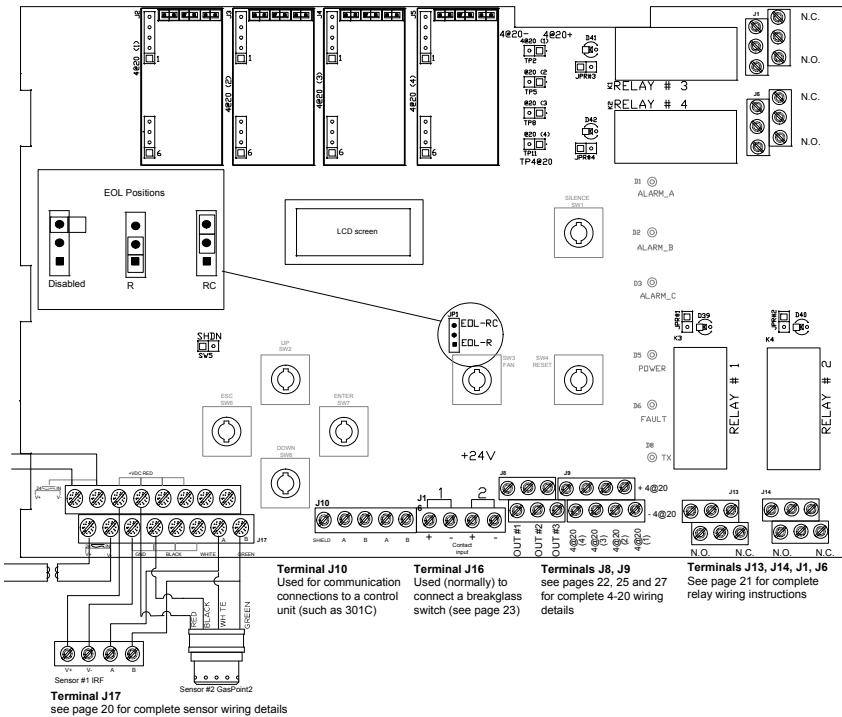
Communication: Use 2-24 AWG, twisted and shielded cable (Belden 9841 or equivalent)

Power: Use 2-18 AWG cable, maximum length of 160 m (500 ft).

WIRING DETAILS

System Wiring

Both GasPoint II (301D2) and IRFS sensors can be linked to the 301EM system. The drawing below illustrates an overview of PCB terminal wiring.

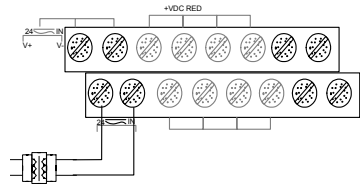


Power Connections

The power requirement range is 22-27 Vac, 29-38 Vdc, 2.0 A max. The polarity is not important. The system must be grounded on the transformer.

A dedicated circuit-breaker must be used.

Separate power supplies must be provided for each group of 4 sensors



CAUTION

The 301EM requires a 100VA transformer that must be installed near the unit to prevent voltage loss. If there is no transformer, or if the transformer capacity is insufficient, 24 Vdc outputs will not have sufficient power, which will have an impact on RFS/RFSA and other device options.

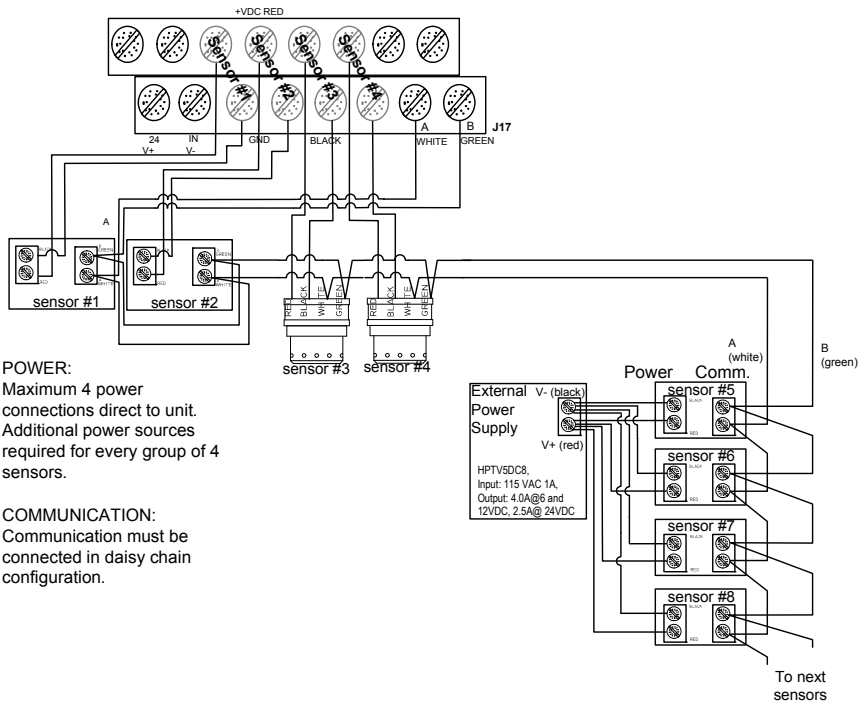
WIRING DETAILS

System Wiring

Connecting sensors to transmitter

Connect the sensor to the transmitter as shown in the diagram below. The maximum distance between sensor and power supply is 200 ft. (60 m) for refrigerant and 500 ft. (160 m) for toxic and combustible gases. Color coding (black, red, green, white) must be respected.

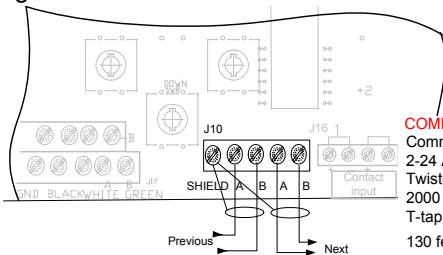
The first four sensors can be connected directly to the 301EM. Additional sensors must have external power supplies (T300VA, 120/24Vac-300VA Transformer) for every group of 4 sensors and communication must be in daisy-chain connection



Note: Use 2-18 AWG wire gauge for toxic and explosives sensor power wiring. Use 14 AWG wire gauge for refrigerant sensor power wiring.

Communication to Controller

Terminal J10 is for communication connections from the 301EM to the 301C Controller. The cables must be grounded using the shield terminal. The network can be up to 2000 ft. (609 m) per channel. The length of a T-tap can be a maximum of 65 feet (20 m). A maximum of 130 ft. (40 m) for all the T-taps must be respected. This diagram illustrates network communication wiring on terminal J10; wires come in from a previous device and go out to the next device.



COMMUNICATION
 Communication Wire Gauge:
 2-24 AWG (Belden 9841)
 Twisted and shielded cable
 2000 feet (600 m) per channel
 T-tap: 65 feet (20 m) / T-tap
 130 feet (40 m) total

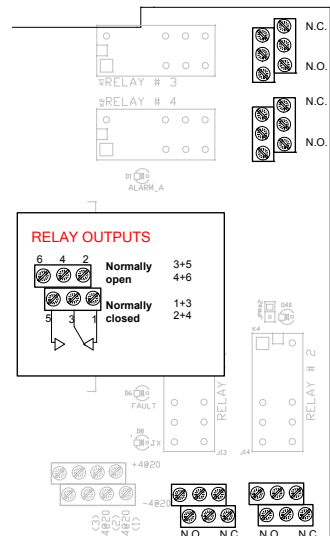
Relay Outputs

The relay outputs will withstand up to 5 amps at 30 Vdc or 250 Vac (resistive load only). They can be used to activate horns, strobes, etc. Refer to the drawing for proper wiring.

Failsafe Relay Outputs

When power is applied to the 301EM, these relays are also powered up. The devices connected to these outputs will be triggered when power is cut, which allows detection of power failures or interruptions.

The 301EM is factory configured in Normal mode, which means that the relay outputs are not in failsafe mode.



See the APPENDIX section for more details about B-52 and ASHRAE 15 standard configurations.

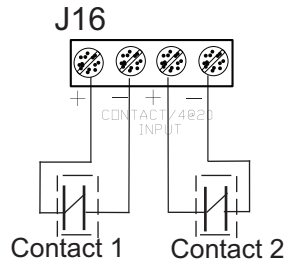
Contact Input, J16

The contact input is mainly used to connect a manual break glass switch to comply with the mechanical code. It is also possible to connect a third break glass switch in series if needed.

The drawing illustrates the ASHRAE 15 configuration where:

Contact 1 = Electrical shut down (ASHRAE 15 config.)

Contact 2 = Fan activation (ASHRAE 15 config.)



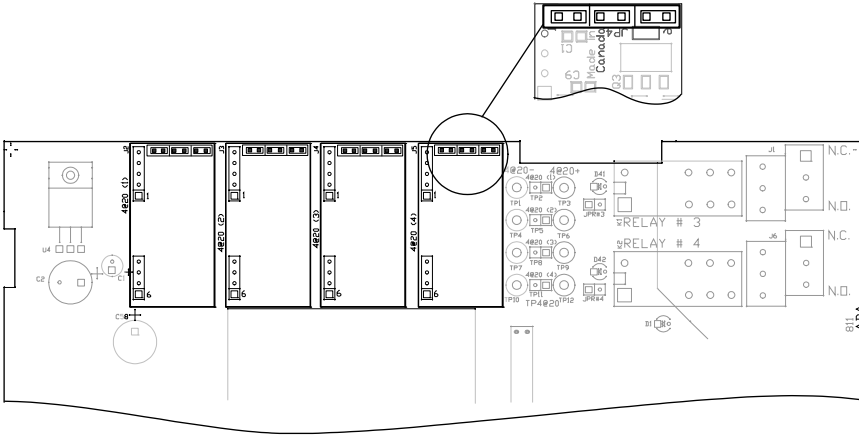
WIRING DETAILS

System Wiring

4-20 Output Configuration

4-20 mA Current Sourcing Output Configuration

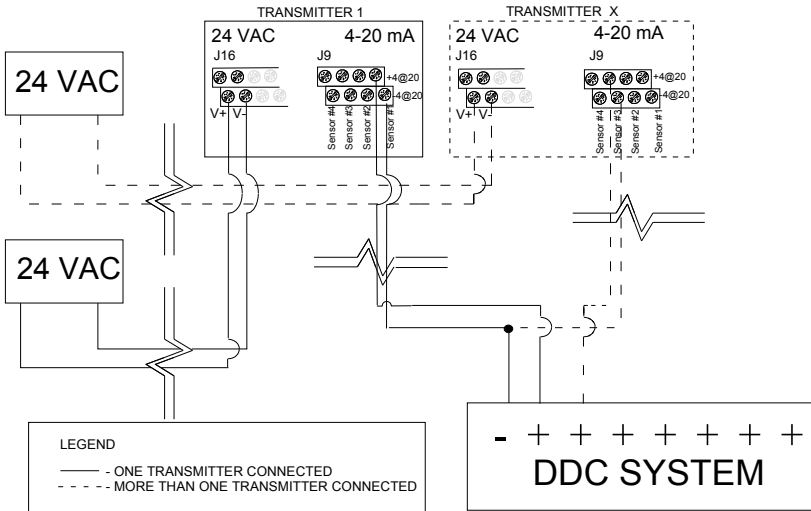
The transmitter supplies the loop current. The maximum impedance supported by the loop is 400 ohms. Set jumpers on JP4 at 1-2, 3-4 and 5-6.



CAUTION

A dedicated power supply must be used with each 301EM. Considerable damage may occur if this condition is not strictly followed.

Current Sourcing Output Configuration



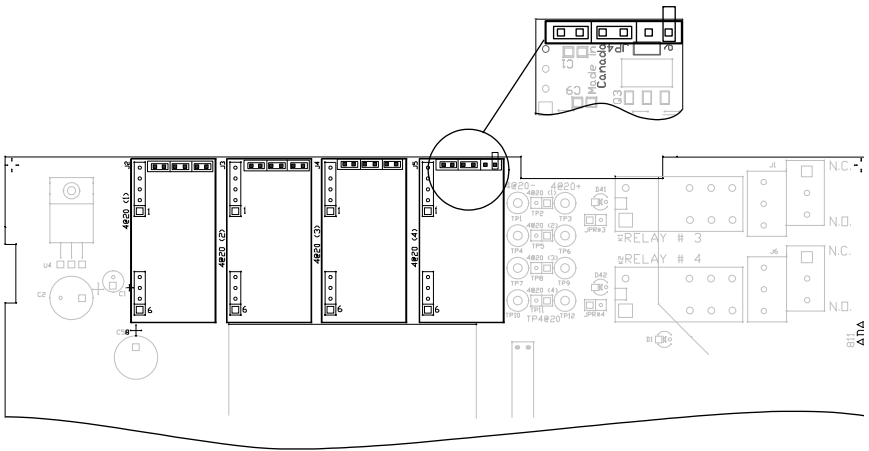
WIRING DETAILS

System Wiring

Output Loop-Powered Operation

(Factory Setting)

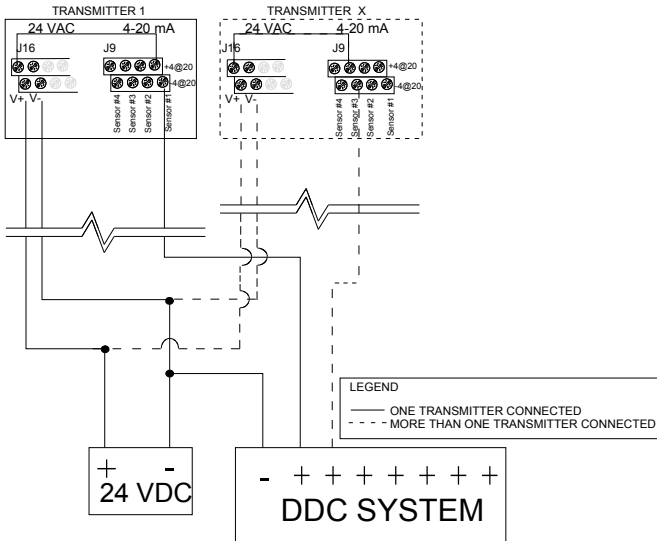
The 4-20 mA output is factory set for loop-powered operation and requires a power source of 12 Vdc to 30 Vdc. The overall impedance depends on the voltage supplied at the 4-20 mA loop. Set jumpers on JP4 at 2-3, 4-5 and 6 for this type of configuration.



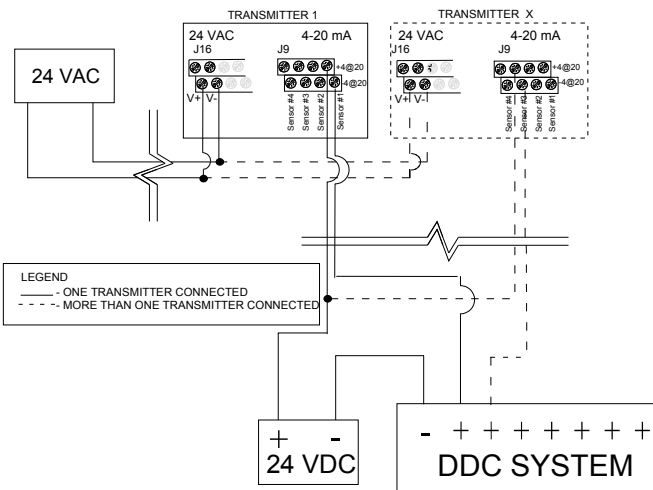
Permitted Impedance in the 4-20 mA Loop

Voltage Source Applied	Total Impedance
12 Vdc	400 Ohms
16 Vdc	600 Ohms
20 Vdc	800 Ohms
24 Vdc	1,000 Ohms
30 Vdc	1,300 Ohms

3 Wire Configuration



4 Wire Configuration



Programming and Calibration

User Interface

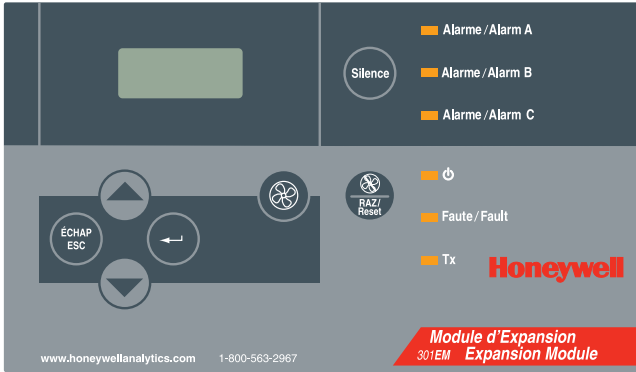
When power is initially applied, the unit's LCD screen will display the product's name and firmware version.







Operating Mode

Normal Mode	When the 301EM is in Normal mode, no user intervention is required. The display will scroll to display (gas and concentration) readings from up to 20 sensors. The Tx LED will blink when there is a transmission on the communication channel (if the unit is connected to a controller)
Alarm Mode	Red LEDs light according to the alarm level detected (Alarm A, B or C). If the unit is equipped with a horn or strobe, these will also be activated with the corresponding alarm.
Fault Mode	If a sensor has communication problems, the yellow Fault LED lights. This LED will also light when the service alarm is activated.
Programming Mode	The programming mode is password protected. Only qualified technicians should access this mode. The enter key provides access to programming and confirms an entry, while the arrow keys allow technicians to increase or decrease values and scroll throughout the menus.

Pushbutton Definitions

The 301EM has “pushbuttons” that serve as an interface to the unit’s programming functions. Below is a description for each button’s function:



Key	Description
	Used to exit the menus or cancel an input. Also used to stop the alternating reading between the connected sensors.
	Used to scroll through the sensor data displays or through menus or to change a specific value.
	Serves as an “enter” key and is used to access a programming field or to confirm a specific value.
	Fan start switch (For B-52 or ASHRAE 15 programming). See the Events table
	Used to reset all outputs after system returns to normal operating mode (linked to the Reset function in the Events menu).
	Turns off the buzzer and horns

Programming the Unit

The 301EM is equipped with a programming menu that allows users to modify certain parameters and to calibrate the unit.

Menu Option	Description
Password	Provides password restricted access to programming menus
Set Adr.	Lets users select a specific address for the device
Mem SD	Inactive option: Reserved for technicians' use only
Sensor	Lets users add or remove a sensor
Set #RP	Lets users add up to ten 301EMRP units
Service	Lets users specify different Service alarm settings
SetEvent	Lets users configure specific events for some or all sensor types
SetRelay	Lets users specify whether a relay will be set to failsafe
Buzzer	Lets users activate or deactivate the silence button
Set Alr	Lets users set specific minimum and maximum alarm levels (for alarms A, B and C)
SetAnOut	Lets users adjust the 4-20 outputs
Set Zero	Lets users adjust the sensor zero
Set Span	Lets users calibrate each sensor
Quit	Lets users exit the programming menus

Accessing the Programming Menus

Access to the 301EM's programming is password protected for security reasons. The password is "VA".

- Press the enter key to access the programming menus. The PASSWORD screen is displayed

PASSWORD <u>A</u> A

- The first letter is underlined. Press the up or down arrow to change the letter until V is displayed
- Press Enter to confirm. The next letter is underlined. Press the up or down arrow until A is displayed
- Press Enter to confirm the password and access the menus

Setting the Unit's Address

The 301EM is shipped with the default address set to 1. If you are using the unit in a network, this menu lets you select a specific address, according to your network configuration.

- Access the menu and use the arrows to scroll to the Set Adr. menu and press enter to select

Menu
Set Adr.

- The Set Adr. menu is displayed. Use the arrows to change the address and press enter when the desired address (Modbus addresses M001 to M254 and Vulbus addresses V01 to V30) is displayed.

Set ADR
M001 V01

- The screen returns to the main menu



Make certain that no two devices share an address as this may result in network conflicts

Configuring a Sensor

The Sensor menu option allows users to add a new sensor, to scan for new sensors or to remove a sensor. Access the menu and use the arrows to scroll to the **Sensor** menu and press enter to select.

Menu
Sensor

There are now 4 possible actions available: NewSens?, Chg Adr., Scan SD, Disable. Use the arrows to scroll up or down through these options and press enter to select.

Note: The NewSens? menu is reserved for and should only be used by qualified technicians.

Changer the Sensor Address

This menu lets users change the sensor's address (position) in the 301EM. Pay special attention when changing a sensor's address that you do not change to an address that is already in use as this will replace the existing sensor.

- Scroll to the **Chg Adr.** menu and press enter to select.

Sensor
Chg Adr.

- The screen displays the sensor gas type, sensor # and its address. Use the arrows to scroll through the sensors until the desired sensor is displayed.

NO2 #1
SD #1

- Press enter to select the sensor. The screen displays the sensor gas type and its address. Use the arrows to scroll to the address desired (between 1 and 20) and press enter to confirm.

NO2 #1
For #2 ?

The sensor's address has been changed.

Adding a new Sensor

This menu lets users add new sensors (to expand the network or to replace an expired sensor).



When adding new sensors, it is important to add one sensor at a time to ensure proper address assignment.

- Scroll to the **Scan SD** menu option and press enter to select.

Sensor
Scan SD

The device searches for any new sensor and assigns the new sensor the first available address. The screen displays a wait message while the device searches for the sensor.

When the device has found the sensor, it displays the sensor device address (its position in the 301EM) and its firmware version.

Scan sd
sd3 164

Removing a Sensor

This menu lets users remove a sensor from the 301EM.

- Scroll to the **Disable?** menu option and press enter to select.

Sensor
Disable?

Adding Remote Panels

The **Set #RP** menu lets users add up to 10 remote panels (301EMRP) to the 301EM's network.

- Scroll to the **Set #RP** menu option and press enter to select.

Menu
Set #RP

- In the **Set #RP** screen, use the arrows to scroll the the desired number (since you can add up to ten remote panels you can select a number between 1 and 10) and press enter to select.

Set #RP
0 EMRP

Once entered into the 301EM's network, the remote panels will display or announce the status of the 301EM's sensors.

Using the Service Menu

The **Service** menu allows users to configure several service related options, such as when and how to activate service alarms. Service alarms are used to signal when a sensor needs to be replaced or calibrated.

Menu
Service

This menu contains two options: **Set Act** and **Set Time**.

Service
Set Act

The **Set Act** menu lets users select the action that will be taken. Available options are: Fault, OFF or Visual

Fault: A service alarm will be activated whenever there is a fault status

OFF: No service alarm will be triggered at any time (factory default setting)

Visual: Only a visual service alarm will be activated

The **Set Time** menu lets users configure a specific deadline at which a service alarm will be activated.

Set Time
12 Month

Use the arrows to scroll between 12 to 24 months to trigger a service alarm after the specified number of months in service. Select the Reset option to turn off the Service alarm for a period of 100 days (after the alarm was triggered).

Using the SetEvent Menu

Although the 301EM is fully configured with specific event configurations (see the tables in Appendix A for details on available configurations), it is nonetheless possible to modify events to suit different applications.

- Scroll to the **SetEvent** menu and press enter to select.

Menu
SetEvent

If this is the initial setup and no previous events have been configured, you must select the event configuration (Type) from the menu (see the tables in Appendix A for details).

SetEvent
Type1CND

- Use the arrows to scroll through the options and press enter to select. The available options (described in greater detail in Appendix A) are: Type1 CND, Type2 CND, Type3 US, Type # 4 and OTHER.

Note: Selecting the "OTHER" event type creates an event with all fields and events blank. Therefore, no events will appear when pressing the arrows. Events must be created before they appear in the scroll list.



Once the configuration type has been selected, it can no longer be changed without erasing **ALL** events and reconfiguring the system anew. Consult the tables in Appendix A to make certain that the appropriate event configuration is selected.

Changing Event Configurations

The various event menus allow users to modify standard configurations or to create completely customized event configurations, based on their needs. Each event menu provides a set of four options, which also contain a subset of options, as described below.

The first screen that appears is the main event screen. Press enter to select the event displayed or use the arrows to scroll through the event numbers to select a specific event.

Type1CND
Event# 1

The first event screen lets users specify which sensors will be linked to the event. The screen displays SD All (the default value). Press enter to enable the field and use the arrows to scroll through the available options. When the desired option is displayed press enter to select.

Event# 1
SD All

SD All: Applies the event action to all sensors

SD #1: (through SD #4) Applies the event action to only the selected sensor

ManSW#1: (through ManSW#2) Applies the event action to the selected switch

SD #---: Displays the EraseALL screen. When "Yes?" is selected from the Event #1 menu, all configuration data for events will be erased.

EraseALL
No?

Note that when "SD #---" is selected at any other event number, the EraseALL screen does not appear and only the data for the active event number will be erased (and events will change numbers, moving up one).

When you have selected the option and pressed enter, the field is disabled and you can proceed to the next screen. Use the arrows to move ahead one screen.

Programming and Calibration

Using the SetEvent Menu

The second event screen lets users specify what will trigger an event. The screen displays **ALRA** (the default value).

Event# 1
= ALRA

- Press enter to enable the field and use the arrows to scroll through the options:

= ALRA: (through ALRC) Links the event to Alarm A, B or C

= Fault: Links the event to a fault condition

= ALL: Links the event to all conditions (alarm and fault)

= ---: Displays the EraseALL screen. When “Yes?” is selected from the Event #1 menu, all configuration data for events will be erased.

EraseALL
No?

Note that when “---” is selected at any other event number, the EraseALL screen does not appear and the data for the active event number will be erased (and events will change numbers, moving up one).



If ManSW#1 (or #2) was selected at the previous step this screen will only have 2 options: Open or Closed.
Set to Open if the output is set to Normally Closed, or to Closed if the output is set Normally Open.

When you have selected the option and pressed enter, the field is disabled and you can proceed to the next screen. Use the arrows to move ahead one screen.

The third event screen lets users specify the actions linked to the event. The screen displays **REL #1** (the default value).

Event# 1
REL #1

- Press enter to enable the field and use the arrows to scroll through the options:

REL #1: (through REL #4) Triggers the devices connected to the selected relay

OUT #1: (through OUT #3) Triggers the devices connected to the selected Output

BUZZER: Triggers the audible alarm for this event

---: Displays the EraseALL screen. When “Yes?” is selected from the Event #1 menu, all configuration data for events will be erased.

EraseALL
No?

Note that when “---” is selected at any other event number, the EraseALL screen does not appear and the data for the active event number will be erased (and events will change numbers, moving up one).

When you have selected the option and pressed enter, the field is disabled and you can proceed to the next screen. Use the arrows to move ahead one screen.

The final screen, **RESET**, lets users specify that an event will remain active, even after it has returned to normal.

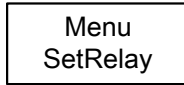
Event# 1
RESET N?

- Press enter to enable the field and use the arrows to scroll to Y?.
- Press enter once again to activate the Reset function.

Note: The Reset key on the front panel lets you deactivate the event

Using the SetRelay Menu

The **SetRelay** menu lets users specify whether the the relay for the event will be in failsafe mode and whether the Silence button on the user interface (front of housing) will be enabled for this event.



Press enter to select the menu and use the arrows to scroll through the options:

FAILSAFE?	Puts the relay in Failsafe mode (the default setting is no failsafe).
Silence	Enables the Silence button function of the user interface for this event.

When you have selected the option and pressed enter, the field is disabled and you can proceed to the next screen. Use the arrows to move to the next menu.

Deactivating the Buzzer

The 301EM is shipped with the buzzer function activated by default. This menu lets you activate or deactivate the Silence button on the keypad and to silence or activate the key beep function.

- Access the menu and use the arrows to scroll to the **Buzzer** menu and press enter to select. The display moves to the next screen.

Menu
Buzzer

- The **Silence** screen displays Yes?, press enter to select (or scroll to No? to disable the Silence button). The keypad Silence button is enabled; when the buzzer sounds, pressing the silence button will turn the buzzer off.

Silence
Yes?

- The next screen, **Key Beep**, allows you to activate a sound for any key activation. Use the arrows to display either Yes or No and press enter to confirm.

Key Beep
No?

- The screen returns to the main menu

Configuring the Unit's Alarms

Although the 301EM is shipped with the default alarm settings, this menu allows you to set specific minimum and maximum levels for alarms A, B and C.

- Access the menu and use the arrows to scroll to the **Set Alr.** menu and press enter to select

Menu
Set Alr

- The menu displays the first sensor's information screen. Use the up or down arrows to scroll between sensors and press enter when the desired sensor is displayed.

H2S #1
SD #1

- The next six screens let you modify both the minimum and maximum alarm setting for all alarm levels (A, B, C). Use the arrows to scroll and press enter to select the desired alarm.

H2S #1
Min AlrA

- In the selected alarm screen, use the arrows to increase or decrease the value and press enter to confirm the desired value.

Min AlrA
9.0 PPM

- The screen returns to the first sensor menu

Repeat these steps for each alarm level to modify.

Setting the Unit's Analog Outputs

This menu lets you adjust each of the four analog outputs, minimum and maximum (e.g. the 4 and the 20).



Note that this menu does not display how the output is being adjusted. The Output must be connected (to an ammeter or to the DDC) for readings to be viewed.

- Access the menu and use the arrows to scroll to the **SetAnOut**. menu and press enter to select.

Menu
SetAnOut

- The **SetAnOut** menu is displayed. In this menu, you can scroll to select the output (from Min 1 to Min 4 and Max 1 to Max 4) and press enter to select.

SetAnOut
Set Min 1

- The **AdjAnOut** screen appears. Press on the up arrow to increase the analog output value or the down arrow to decrease (the 301EM's screen does not change or display any changes; the value will only be visible on the connected meter).

Set Min1
AdjAnOut

- When the desired output value is reached, press enter to confirm. The screen displays ***WAIT*** while the unit is reinitialized.

Set Min1
WAIT

- The screen returns to the main menu.

Repeat these steps for each output to adjust.

Calibrating the Unit

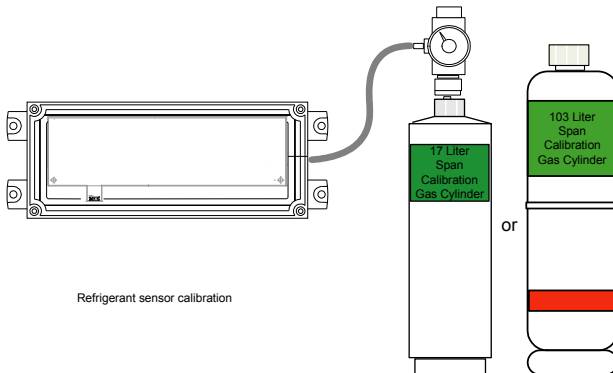
Honeywell provides its customers with specialized gas detection equipment. Beyond the warranty period, the systems must be maintained and calibrated on a regular basis (normally twice a year).

If unit span or zero cannot be adjusted, the sensor may be approaching its end-of-life and must be replaced. Keep an operation log of all maintenance, calibrations and alarm events.

The unit requires warm-up time before being put into service and calibrated. The warm-up time required depends on the type of sensor, however a standard minimum of fifteen (15) minutes is recommended.

Connecting the Hardware

1. Plug the calibration adaptor onto the gas sensor inlet.
2. Screw the regulator to the appropriate calibration gas cylinder (for either span or zero adjustment) and set the flow rate (see Table I on page 47).
3. Connect the tubing to the regulator outlet and to the calibration adaptor or to calibration port.



Adjusting the Zero (If Required)

When the unit displays 0 %/ppm in an area with no presence of the target gas, proceed to “Calibrating the Sensor” on the following page.

To adjust the zero, inject zero gas (nitrogen) at the specified flow rate. The gas must be allowed to flow into the unit for a minimum of 2.5 minutes before beginning and then throughout the adjustment.

1. Press enter to access the programming menu.
Since the menus are password protected you must first enter the password in the PASSWORD screen
2. Use the up or down button to change each letter until VA is displayed. Press enter after each letter to confirm and to access the menus.
3. Use the up or down arrow to scroll to the Set Zero menu screen and press enter to select.
4. Use the up or down arrow to select the sensor to be calibrated and press enter to select.
5. Press enter again when the screen displays GoCalib to start the zero adjustment
6. The Wait screen is displayed throughout the adjustment and the menu returns to the main menu screen when the adjustment is complete.
7. Use the up or down arrow to scroll to the Quit menu and press enter to exit the programming menus.

PASSWORD
AA

Menu
Set Zero

H2S #1
SD #1

H2S #1
GoCalib?

Menu
Quit

Calibrating the Sensor

To calibrate the sensor, inject the calibration gas at the specified flow rate. The gas must be allowed to flow into the unit for a minimum of 2.5 minutes before beginning and then throughout the calibration.

1. Press enter to access the programming menu.
Since the menus are password protected you must first enter the password in the PASSWORD screen
2. Use the up or down button to change each letter until VA is displayed. Press enter after each letter to confirm and to access the menus.
3. Use the up or down arrow to scroll to the Set Span menu screen and press enter to select.
4. Use the up or down arrow to select the sensor to be calibrated and press enter to select.
5. The next screen, SetGas, allows users to specify a calibration gas value. Use the up or down arrow to increase or decrease the value and press enter to confirm.
6. Press enter again when the screen displays GoCalib to start the calibration
7. The gas concentration is displayed throughout the calibration and the menu returns to the main menu screen when the adjustment is complete.
8. Use the up or down arrow until the Quit menu is displayed and press enter to exit the programming menus.

PASSWORD
AA

Menu
Set Span

H2S #1
SD #1

SetGas
25.0 PPM

Menu
Quit

Table I - Calibration Information

Gas	Scale	Warm-up	Flow Rate	Notes
Combustible	0 - 102% LEL	15 min.	500 ml/min	1% Volume CH ₄ = 20% LEL CH ₄ .
CL ₂	0 - 15.3 ppm	15 min.	500 ml/min	
CO	0 - 255 ppm	N/A	500 ml/min	
H ₂ S	0 - 51.0 ppm	15 min.	500 ml/min	
* HF	0 - 10.2 ppm	15 min.	500 ml/min	Nitrogen dioxide is a surrogate gas for HF
NO ₂	0 - 10.2 ppm	15 min.	500 ml/min	
O ₂	0 - 25.5%	N/A	500 ml/min	
SO ₂	0 -10.2 ppm	15 min.	500 ml/min	
Refrigerant Rxxx	0 - 1000 ppm	15 min	100 ml/min	Replace the xxx by the required refrigerant

* Discontinued products: Only existing sensors will be supported.

301EM Specifications

Power	22-27 Vac, 50/60 Hz 29-38Vdc, 2 A @ 29 Vdc
Standard Outputs:	4 DPDT relays 3 Outputs at 24 Vdc @ 250 mA each
Optional Outputs:	4-20 mA for each sensor
Communication	RS-485: Modbus or Vulbus
Audible Alarm:	65 dBA @ 1 m (3 ft)
Display :	Backlit LCD
Visual Indicators:	Green LED: Normal operation Red LEDs: Alarm A, B and C Yellow LED: Fault/service alarm Amber LED: Tx (Activated in network mode)
Length of lines:	Up to 2000 feet (609 m) between 301EM and controller T-tap: 65 ft. (20 m) maximum per t-tap, to a total of 130 ft. (40 m)
Relay Output Rating:	5A, 30Vdc or 250Vac (resistive load)
Circuit Protection:	Long Time-Lag Polyswitch Type TT
Overvoltage Category:	II
Operating Environment:	Indoor Use
Operating Temperature Range:	0 to 40°C (32°F to 100°F)
Operating Humidity Range:	0 to 95% RH (non-condensing)
Operating Altitude:	Up to 3000m (9843 feet)
Enclosure:	NEMA 4X ABS - Polycarbonate indoor
Pollution Degree:	2
Size (HxWxD):	20.3 x 28 x 7 cm 7.99" x 11.02" x 2.76"
Weight:	1.02 kg (2.26 lbs)
Certifications	ANSI/UL 61010-1 CAN/CSA C22.2 No. 61010-1
Optional Horn:	105dBA, 4-28V, 2800Hz (RFSA) Min. Voltage 80 dB(A) min. @ 2 ft and 6 Vdc Max Voltage 90 dB(A) min. @ 2 ft and 28 Vdc
Optional Strobe:	STAS flashing LED

301IRFS Specifications

Gases Detected:	R11, R12, R13B1, R22, R114, R123, R125, R134a, R227, R245A, R404A, R407C, R410A, R507, R508b
Sensor power requirements:	8.5 - 12.5 Vdc, 1A@10 Vdc Maximum
Sensing Technology:	Infrared sensor
Measurement Range:	0-1000 ppm
Resolution:	1 ppm
Deadband:	20 ppm
Accuracy:	±10ppm à 50 ppm / ±40ppm à 500 ppm
Response Time (T90):	60 seconds
Warmup time	15 minutes
Operating Environment:	Indoor Use
Operating Temperature Range:	0 to 40°C (32°F to 100°F)
Operating Humidity Range:	0 to 95% RH (non-condensing)
Enclosure:	ABS - Polycarbonate
Size (HxWxD):	10.2 x 28 x 6.3 cm 4.02" x 11.02" x 2.48"
Weight:	0.603 kg (2.33 lbs)

The 301EM sensor LED has 2 functions. If the sensor is working properly, the LED will blink according to the sensor addresses on the 301EM. In that case, the LED will blink as shown:

Address 1 = The LED blinks 2 times during 2,8 seconds

Address 2 = The LED blinks 3 times during 2,8 seconds

Address 3 = The LED blinks 4 times during 2,8 seconds

Address 4 = The LED blinks 5 times during 2,8 seconds

Addresses 5 to 20 = The LED blinks once during 2,8 seconds

If the sensor is connected to a 301IRF, the LED will be on during 0,2 seconds and off during 2,6 seconds (blinking). If the sensor has a problem (failsense), the LED will remain on.

Programming and Calibration

301IRFS Specifications

301D2 Sensor Specifications

Sensing technology:	Electrochemical (toxic) Catalytic combustion (combustible) Diffusion fuel cell (oxygen)
Sensor power requirements:	Toxic: 7 - 9 Vdc, 25mA@ 8 Vdc Combustible : 7 - 9 Vdc, 100mA@ 8 Vdc
Length of lines:	Up to 160m (500 feet) between 301EM and sensor (toxic and combustible)
Operating Temperature Range:	Toxic: -40 to 40°C (-40°F to 100°F) Combustible: -40 to 50°C (-40°F to 112°F)
Operating Humidity Range:	0% to 95% RH, non-condensing
Operating Altitude:	Up to 3000m (9843 feet)
Enclosure:	Class 1, Division 1, Groups B, C, D

Maintenance

The 301EM requires no maintenance. Transmitters, however, require regular inspection and calibration.

Replacement Parts

LED replacement instructions for RFS or RFSA option:

- Turn the cap until the diamond shape aligns with the triangle outline shape
- Pull off the cap
- Use the insertion tool to remove the LED;
- Use the insertion tool to put in the new LED;
- Put the cap back on (press down firmly)
- Turn the cap until the diamond is aligned with the white triangle shape.

Due to the continuous evolution of our products, please contact our service department for ordering parts or for more details.

Technical Support Line: 1-800-563-2967

Cleaning

Clean the exterior with a soft, damp cloth. Do not use solvents, soaps or polishers.

APPENDIX A

Available Pre-programmed configurations

APPENDIX A

Available Pre-programmed configurations

Type 1 CND (B-52 Canadian Standard for R123)

SetEvent	Input	Status	Output	Reset	Silence
Event # 1	SD All	Alr A	Relay #1	Yes	No
Event # 2	SD All	Alr A	Relay #4	Yes	No
Event # 3	SD All	Alr A	Out 1	Yes	Yes
Event # 4	SD All	Alr A	Out 2	Yes	No
Event # 5	SD All	Alr A	Out 3	Yes	No
Event # 6	SD All	Alr A	Buzzer	Yes	Yes
Event # 7	SD All	Alr A	Relay #2	Yes	Yes
Event # 8	SD All	Alr A	Relay #3	Yes	No
Event # 9	SD All	Fault	Relay #3	Yes	No
Event #10	SD All	Alr B	Relay #1	No	No
Event #11	SD All	Alr C	Relay #1	No	No

Type 2 CND (B-52 Canadian Standard for other Refrigerants)

Event	Input	Status	Output	Reset	Silence
Event # 1	SD All	Alr A	Relay #1	Yes	No
Event # 2	SD All	Alr A	Out 1	Yes	Yes
Event # 3	SD All	Alr A	Out 2	Yes	No
Event # 4	SD All	Alr A	Out 3	Yes	No
Event # 5	SD All	Alr A	Buzzer	Yes	Yes
Event # 6	SD All	Alr A	Relay #2	Yes	Yes
Event # 7	SD All	Alr B	Relay #4	Yes	No
Event # 8	SD All	Alr A	Relay #3	Yes	No
Event # 9	SD All	Fault	Relay #3	Yes	No
Event #10	SD All	Alr C	Relay #1	No	No

Type 3 US (ASHRAE 15 Standard for Refrigerants)

Event	Input	Status	Output	Reset	Silence
Event # 1	SD All	Alr A	Relay #1	Yes	No
Event # 2	SD All	Alr A	Out 1	Yes	Yes
Event # 3	SD All	Alr A	Out 2	Yes	No
Event # 4	SD All	Alr A	Out 3	Yes	No
Event # 5	SD All	Alr A	Buzzer	Yes	Yes
Event # 6	SD All	Alr A	Relay #2	Yes	Yes
Event # 7	SD All	Alr B	Relay #4	No	No
Event # 8	SD All	Alr A	Relay #3	Yes	No
Event # 9	SD All	Fault	Relay #3	No	No
Event #10	ManSw #1*	Open	Relay #1	Yes	No
Event #11	ManSw #1*	Open	Relay #4	Yes	No
Event #12	ManSw #1*	Open	Out 1	Yes	Yes
Event #13	ManSw #1*	Open	Out 2	Yes	No
Event #14	ManSw #1*	Open	Out 3	Yes	No
Event #15	ManSw #1*	Open	Buzzer	Yes	Yes
Event #16	ManSw #1*	Open	Relay #2	Yes	Yes
Event #17	ManSw #1*	Open	Relay #3	Yes	No
Event #18	SD All	Alr C	Relay #1	No	No
Event #19	ManSw #2**	Open	Relay #1	No	No

*Mansw #1 Trigger an electrical shut down.

**ManSw #2 Trigger relay #1.

APPENDIX A

Available Pre-programmed configurations

Type 4 (Default configuration - other than B-52 and ASHRAE 15)

Event	Input	Status	Output	Reset	Silence
Event # 1	SD All	Alr A	Relay #1	No	No
Event # 2	SD All	Alr B	Relay #2	No	Yes
Event # 3	SD All	Alr C	Relay #3	No	No
Event # 4	SD All	Fault	Relay #4	No	No
Event # 5	SD All	Alr B	Out 1	No	Yes
Event # 6	SD All	Alr A	Out 2	No	No
Event # 7	SD All	Alr C	Out 3	No	No
Event # 8	SD All	Alr B	Buzzer	No	Yes

Limited Warranty

Limited Warranty

Honeywell Analytics, Inc. warrants to the original purchaser and/or ultimate customer ("Purchaser") of Vulcain products ("Product") that if any part thereof proves to be defective in material or workmanship within twelve (12) months, such defective part will be repaired or replaced, free of charge, at Honeywell Analytics' discretion if shipped prepaid to Honeywell Analytics at 4005 Matte Blvd., Unit G, Brossard, Quebec, Canada, J4Y 2P4, in a package equal to or in the original container. The Product will be returned freight prepaid and repaired or replaced if it is determined by Honeywell Analytics that the part failed due to defective materials or workmanship. The repair or replacement of any such defective part shall be Honeywell Analytics' sole and exclusive responsibility and liability under this limited warranty.

Re-Stocking Policy

The following re-stocking fees will apply when customers return products for credit:

- 15% re-stocking fee will be applied if the product is returned within **1 month** following the shipping date
- 30% re-stocking fee will be applied if the product is returned within **3 months** following the shipping date

A full credit (less re-stocking fee) will only be issued if the product is in perfect working condition. (If repairs are required on the returned product, the cost of these repairs will be deducted from the credit to be issued.)

No credits will be issued beyond the three month period.

Exclusions

- a.If Gas sensors are part of the Product, the gas sensor is covered by a twelve (12) month limited warranty of the manufacturer.
- b.If gas sensors are covered by this limited warranty, the gas sensor is subject to inspection by Honeywell Analytics for extended exposure to excessive gas concentrations if a claim by the Purchaser is made under this limited warranty. Should such inspection indicate that the gas sensor has been expended rather than failed prematurely, this limited warranty shall not apply to the Product.
- c.This limited warranty does not cover consumable items, such as batteries, or items subject to wear or periodic replacement, including lamps, fuses, lves, nes, sensor elements, cartridges, or filter elements.

Warranty Limitation and Exclusion

Honeywell Analytics will have no further obligation under this limited warranty. All warranty obligations of Honeywell Analytics are extinguishable if the Product has been subject to abuse, misuse, negligence, or accident or if the Purchaser fails to perform any of the duties set forth in this limited warranty or if the Product has not been operated in accordance with instructions, or if the Product serial number has been removed or altered.

Disclaimer of Unstated Warranties

The warranty printed above is the only warranty applicable to this purchase. All other warranties, express or implied, including, but not limited to, the implied warranties of merchantability or fitness for a particular purpose are hereby disclaimed.

Limitation of Liability

It is understood and agreed that Honeywell Analytics' liability, whether in contract, in tort, under any warranty, in negligence or otherwise shall not exceed the amount of the purchase price paid by the purchaser for the product and under no circumstances shall Honeywell Analytics be liable for special, indirect, or consequential damages. The price stated for the product is a consideration limiting honeywell analytics' liability. No action, regardless of form, arising out of the transactions under this warranty may be brought by the purchaser more than one year after the cause of actions has occurred.

Dispositif de détection de gaz

301EM
Manuel d'utilisateur

ERP 512720
2/09

Avis et marques de commerce

**Tous droits réservés par Honeywell International Inc.
Parution 512720 février 2009**

Quoique cette information est présentée en bonne foi et est présumée exacte, Honeywell décline la garantie tacite de la qualité marchande pour un emploi particulier et offre aucune garantie exprès, à l'exception des conventions écrites avec et pour ses clients.

Honeywell ne sera, sous aucune circonstance, responsable à qui que ce soit pour des dommages spéciaux ou indirectes. Les informations et les spécifications dans ce document sont susceptibles d'être modifiées sans préavis.

Honeywell Analytics
4005 Matte Blvd, Local G
Brossard, Québec, Canada, J4Y 2P4

Définitions des symboles

Le tableau suivant contient la liste des symboles utilisés dans ce document pour indiquer certaines conditions :

Symbole	Définition
	ATTENTION: Identifie une information demandant une attention spéciale
	Truc: Identifie un conseil ou un truc pour l'utilisateur, souvent concernant une tâche
	RÉFÉRENCE- INTERNE Indique une source d'information supplémentaire à l'intérieur du document.
ATTENTION	Indique une situation à éviter pouvant entraîner des dommages au système ou la perte de travail (documents) ou pouvant prévenir l'opération normale du système.
	ATTENTION : Indique une situation potentiellement dangereuse qui peut entraîner des blessures mineures ou modérées si pas évité. Peut également signaler des actions dangereuses ATTENTION: Un symbole sur l'équipement qui réfère l'utilisateur à la documentation pour de plus amples informations. Ce symbole apparaît à côté des informations nécessaires dans le manuel.
	AVERTISSEMENT : Indique une situation potentiellement dangereuse qui peut entraîner des blessures majeures ou la mort si pas évité. AVERTISSEMENT Un symbole sur l'équipement qui réfère l'utilisateur à la documentation pour de plus amples informations. Ce symbole apparaît à côté des informations nécessaires dans le manuel.

Table des matières

INTRODUCTION	11
Description	11
Application visée	12
Déballage	12
INSTRUCTIONS D'INSTALLATION	13
Directives générales	13
Installation murale	13
Hauteurs d'installation recommandées	14
Déterminer le nombre de transmetteurs	15
Plage de détection et niveaux d'alarmes	16
Installation des sondes à distances	17
DÉTAILS DE CONNEXION	19
Câblage du système	19
Connexion d'alimentation	20
Connexion des sondes	21
Communication	22
Sorties relais	22
Sorties 24 Vcc	23
Configurations 4-20mA	23
Configuration sortie 4-20 mA	25

ÉTALONNAGE / PROGRAMMATION 29

Interface usager	29
Modes d'opération	29
Description des touches	30
Comment programmer l'unité	31
Comment accéder au menu de programmation	31
Comment désactiver l'alarme sonore	32
Comment configurer l'adresse de l'unité	33
Comment configurer les alarmes	34
Comment configurer les sorties analogiques	35
Comment étalonner l'unité	36
Brancher les régulateurs	36
Étalonnage du zero (si requis)	37
Étalonnage du gain	38
Spécifications 301EM	40
Spécifications sonde 301IRFS	41
Spécifications sonde 301D2	42
Entretien	43
Pièces de remplacement	43
Nettoyage	43

ANNEXE 44

Configurations pré-programmées disponibles	44
--	----

GARANTIE LIMITÉE 47

Garantie limitée	47
Politique de Retour	47
Exclusions	47
Limitation et exclusion de la garantie	48
Dénégation de responsabilité d'autres garanties	49
Limitation de responsabilité	49

INTRODUCTION

Description

À la recherche de technologies de pointe et de la satisfaction du client, Honeywell présente une innovation dans le contrôle des gaz frigorigènes, toxiques et explosifs.

Fruit de la recherche et d'une conception poussée, le 301EM utilise la technologie infrarouge la plus avancée. Le 301EM peut gérer jusqu'à 20 détecteurs, ce qui permet la mesure précise d'infimes concentrations de gaz. La sonde peut être placée à une distance allant jusqu'à 500 pi. de la source d'alimentation pour le contrôle de gaz toxique et 200 pi. pour le gaz frigorigène.

L'émetteur, équipé d'un affichage à CL rétroéclairé et d'un clavier de touches, peut être installé à la hauteur des yeux dans un emplacement différent de la zone de lecture des gaz frigorigènes. La surveillance se fait donc d'un site sûr et éloigné.

Le 301EM offre également des sorties 4-20 mA et des relais, une communication Modbus, des options d'alarmes sonores et il est compatible avec notre contrôleur 301C.

Application visée

En raison de la disponibilité et des coûts croissants des gaz frigorigènes, il devient nécessaire d'effectuer une surveillance accrue dans les salles mécaniques. Le détecteur de frigorigène Honeywell fournit un avertissement rapide lors de fuite de gaz et indique les concentrations de gaz de la salle mécanique, ce qui permet d'améliorer la stratégie de conservation du frigorigène. De plus, des sondes toxiques et combustibles peuvent être jumelées au 301EM afin de rencontrer un plus large éventail d'exigences pour la clientèle. Offert dans une configuration spéciale, le module d'expansion 301EM a été soigneusement conçu pour rencontrer et même dépasser les normes ASHRAE B-52 et 15-2201.

Déballage

Dès l'ouverture de l'emballage, assurez-vous que vous avez reçu l'équipement et les composants tels qu'indiqués sur le bon de connaissance et que l'ensemble de la commande n'est pas endommagé.

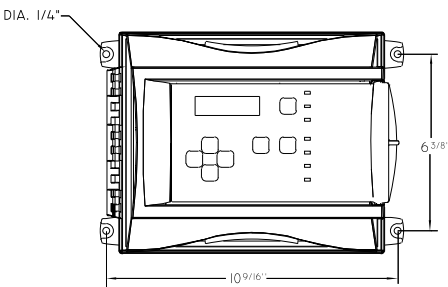
INSTRUCTIONS D'INSTALLATION

Directives générales

Ces directives **doivent être strictement respectées** pour assurer le bon fonctionnement de l'équipement. Si elles ne sont pas respectées, Honeywell ne se tiendra aucunement responsable des incidents pouvant en découler:

- Localiser chaque unité à un endroit facile d'accès pour un technicien.
- Éviter toute localisation des unités près des sources de vibrations.
- Évitez d'installer les unités près d'équipements émettant des interférences électromagnétiques.
- Évitez les emplacements où la température change rapidement.
- Avant de débiter l'installation, vérifiez tous les codes, normes ou législations pouvant affecter le choix de l'emplacement.

Installation murale

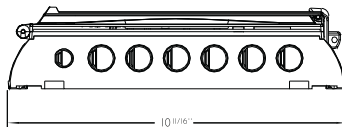


Nous recommandons d'installer le moniteur à 1.5 m (4.9 pi) du sol.

Mesurer les distances, tel qu'indiqué :

- Distance en hauteur entre les trous 162mm (6 3/8")
- Distance en largeur entre les trous 268.3mm (10 9/16")
- Perçer les trous 6.35mm (1/4") et fixer l'unité avec les vis appropriées.

Le câblage de l'unité doit être enfilé dans les trous de pastilles poinçonnées (knock-out) situés en dessous de l'unité.



Hauteurs d'installation recommandées

Les hauteurs d'installation de détecteurs recommandées représentent des directives générales. Toujours vérifier les normes et les lois locales avant de procéder à l'installation. Celles-ci ont préséance sur les recommandations du fabricant.

Gaz Détectés	Densité relative (air = 1)	Hauteur d'installation	
CO	Monoxyde de carbone	0.968	1-1.5 m (1-1.5 pi) du sol
NO2	Dioxyde d'azote	1.58 (froid)*	30 cm -1 m (1-3 pi) du plafond
H2	Hydrogène	0.07	30 cm (1 pi) du plafond
CL2	Chlore	2.50	30 cm (1 pi) du sol
H2S	Sulfure d'hydrogène	1.19	30 cm (1 pi) du sol
O2	Oxygène	1.43	1 - 1.5 m (1 - 1.5 pi) du plancher
HCL	Chlorure d'hydrogène	1.30	30 cm (1 pi) du sol
HCN	Acide cyanidrique	0.932	30 cm (1 pi) du plafond
ETO	Oxyde d'éthylène	1.50	30 cm (1 pi) du sol
SO2	Bioxyde de soufre	2.25	30 cm (1 pi) du sol
R11	Frigorigènes	5.04	30 cm (1 pi) du sol
R12	Frigorigènes	4.20	30 cm (1 pi) du sol
R13B1	Frigorigènes	5.14	30 cm (1 pi) du sol
R114	Frigorigènes	5.9	30 cm (1 pi) du sol
R22	Frigorigènes	3.11	30 cm (1 pi) du sol
R123	Frigorigènes	5.27	30 cm (1 pi) du sol
R125	Frigorigènes	4.14	30 cm (1 pi) du sol
R134A	Frigorigènes	3.52	30 cm (1 pi) du sol
R227	Frigorigènes	5.90	30 cm (1 pi) du sol
R245A	Frigorigènes		30 cm (1 pi) du sol
R404A	Frigorigènes	3.43	30 cm (1 pi) du sol
R407C	Frigorigènes	3.0	30 cm (1 pi) du sol
R410A	Frigorigènes	3.0	30 cm (1 pi) du sol
R507	Frigorigènes	3.43	30 cm (1 pi) du sol
R508b	Frigorigènes		30 cm (1 pi) du sol
Comb	La plupart des combustibles sont plus lourds que l'air, excepté le méthane, l'hydrogène, l'éthylène et l'acétylène. Pour les gaz plus lourd que l'air, des capteurs devraient être installés à environ 30 cm du sol. Pour les combustibles plus légers que l'air, des capteurs devraient être installés à 30 cm du plafond, près de la source potentielle de fuite.		

* Peut varier dans certaines applications. Le NO₂ chaud sortant d'un dispositif d'échappement est plus léger que l'air ambiant.

Instructions d'installation

Déterminer le nombre de transmetteurs

Déterminer le nombre de transmetteurs

Le nombre de transmetteurs est déterminé par le rayon de surveillance de l'appareil. Le rayon de surveillance dépend du gaz détecté. Voir les valeurs correspondantes dans le tableau ci-dessous.

	Gaz Detecté	Rayon de surveillance	Surface couverte
CO	Monoxyde de carbone	15 m (50 pi)	707 m ² (7610 pi ²)
NO ₂	Dioxyde d'azote	15 m (50 pi)	707 m ² (7610 pi ²)
	Autres	7 m (23 pi)	154 m ² (1658 pi ²)

Plage de détection et niveaux d'alarmes

	Gaz détectés	Plage	Alarme A	Alarme B	Alarme C
CL ₂	Chlore	0-15 ppm	0.5 ppm	1 ppm	13,5 ppm
CO	Monoxyde de carbone	0-250 ppm	25 ppm	200 ppm	225 ppm
ETO	Oxyde d'éthylène	0-20 ppm	1 ppm	5 ppm	18 ppm
H ₂	Hydrogène	0-100% LIE	25% LIE	50% LIE	90% LIE
H ₂ S	Sulfure d'hydrogène	0-50 ppm	10 ppm	15 ppm	45 ppm
HCL	Chlorure d'hydrogène	0-25 ppm	3 ppm	4 ppm	22,5 ppm
HCN	Acide cyanhydrique	0-50 ppm	5 ppm	9 ppm	45 ppm
NO ₂	Dioxyde d'azote	0-10 ppm	0.72 ppm	2 ppm	9 ppm
O ₂	Oxygène	0-25% Vol.	19.5% Vol.	22% Vol.	22.5% Vol.
SO ₂	Bioxyde de soufre	0-10 ppm	2 ppm	5 ppm	9 ppm
R-123	Frigorigène	0-1000 ppm	50 ppm	500 ppm	900 ppm
R-11	Frigorigène	0-1000 ppm	250 ppm	500 ppm	900 ppm
R-12	Frigorigène	0-1000 ppm	250 ppm	500 ppm	900 ppm
R13B1	Frigorigène	0-1000 ppm	250 ppm	500 ppm	900 ppm
R114	Frigorigène	0-1000 ppm	250 ppm	500 ppm	900 ppm
R-22	Frigorigène	0-1000 ppm	250 ppm	500 ppm	900 ppm
R-125	Frigorigène	0-1000 ppm	250 ppm	500 ppm	900 ppm
R134A	Frigorigène	0-1000 ppm	250 ppm	500 ppm	900 ppm
R227	Frigorigène	0-1000 ppm	250 ppm	500 ppm	900 ppm
R245A	Frigorigène	0-1000 ppm	250 ppm	500 ppm	900 ppm
R404A	Frigorigène	0-1000 ppm	250 ppm	500 ppm	900 ppm
R410A	Frigorigène	0-1000 ppm	250 ppm	500 ppm	900 ppm
R507	Frigorigène	0-1000 ppm	250 ppm	500 ppm	900 ppm
R508b	Frigorigène	0-1000 ppm	250 ppm	500 ppm	900 ppm
Comb.	Combustibles	0-100% LIE	25% LIE	50% LIE	90% LIE

Un seuil d'alerte différent a pu être programmé afin de satisfaire la contrainte d'une application particulière.

Instructions d'installation

Installation des sondes à distances

Zone morte et précision

(Détection de frigorigène)

La zone morte (deadband) est la zone de signal ou de plage de détection où il n'y a aucune action. La zone morte du IRF est à 20 ppm.

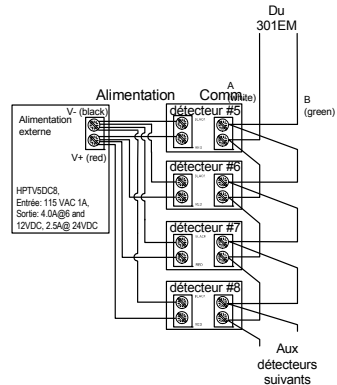
Installation des sondes à distances

Sonde à distance 301IRFS

Le détecteur de frigorigène doit être installé à la hauteur recommandée, soit à 30 cm (1 pied) du sol.

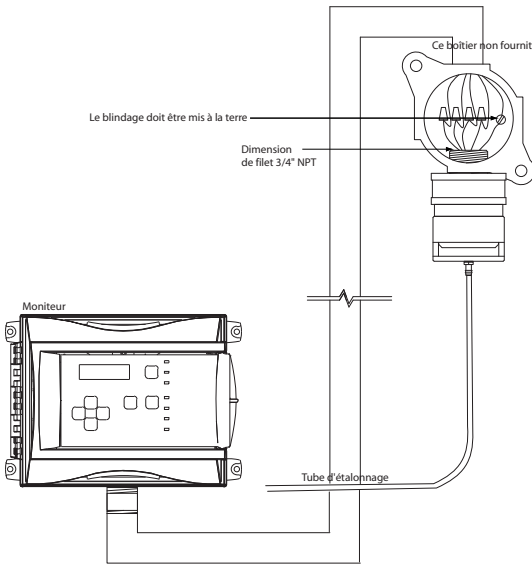
Utiliser le calibre de câble 2-24 AWG, torsadé, blindé (Belden 9841 ou équivalent) pour la communication. La communication doit être en marguerite, selon le dessin.

Utiliser le calibre de câble 14 AWG, sur une longueur maximum de 60 m (200 pi) pour l'alimentation. Seulement 4 détecteurs peuvent être connectés directement au 301EM. Tout autre détecteur doit avoir une alimentation externe (par groupe de quatre, jusqu'au maximum de 20 détecteurs).



Sonde à distance S301D2

Ce schéma représente une connexion avec une sonde 301D2 avec option D2RS-PC.



Communication:
Utiliser le calibre de câble 2-24 AWG, torsadé, blindé (Belden 9841 ou équivalent)

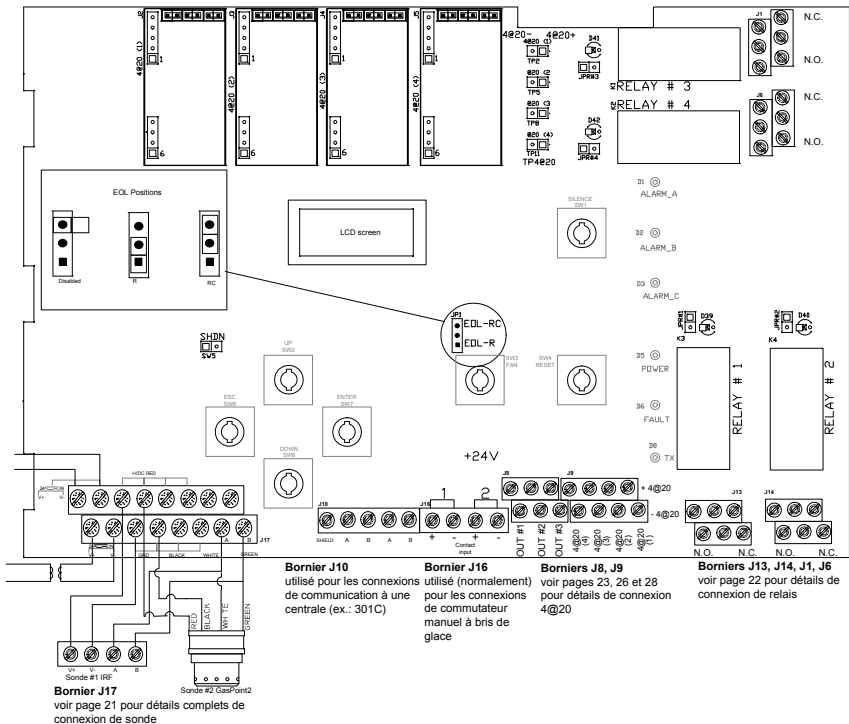
Alimentation: Utiliser le calibre de câble 2-18 AWG, sur une longueur maximum de 160 m (500 pi).

DÉTAILS DE CONNEXION

Câblage du système

Les dispositifs de sonde IRFS et 301D2 peuvent se jumeler au système 301EM. L'image ci-dessous est une vue de l'ensemble des connexions possibles sur les bornes de la carte de circuit.

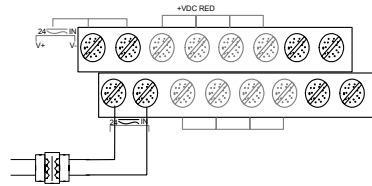
Consulter la section des spécifications pour connaître les détails de câblages recommandé, d'alimentation et de puissance de sorties.



Connexion d'alimentation

La plage d'alimentation électrique est de 22 à 27 Vca, 29 à 38 Vcc, 2.,0 A max. En courant alternatif ou continu, la polarité n'importe pas. Le système doit être mis à la terre sur le transformateur.

Un disjoncteur dédié doit être utilisé.



Une alimentation externe est nécessaire pour chaque groupe de 4 détecteurs supplémentaire.

ATTENTION

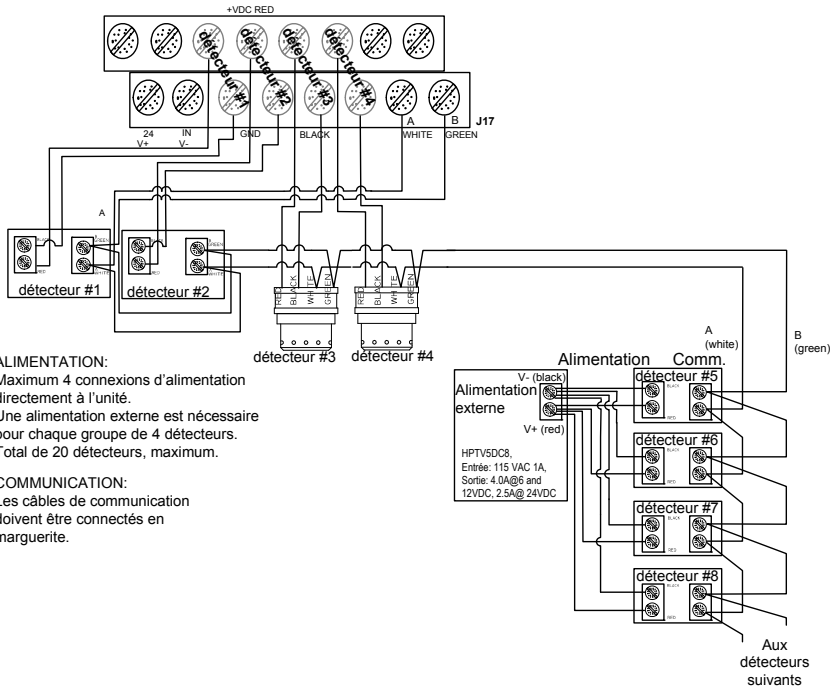
Le 301EM nécessite un transformateur de 100 VA installé à proximité de l'unité pour éviter toute baisse de tension. Si ce transformateur n'est pas présent ou est d'une puissance insuffisante, les sorties 24 Vcc auront une tension de sortie basse, ce qui aura un impact sur les options RFS/RFSA et autres dispositifs

Détails de connexion

Câblage du système

Connexion des transmetteurs

La connexion des sondes se fait selon le schéma ci-dessous. La distance maximale entre la sonde et l'alimentation est de 60 m (200') pour les gaz frigorigènes et 160 m (500') pour les gaz toxiques et explosifs. Le code de couleur noir (black), rouge (red), vert (green), blanc (white) doit être respecté.



ALIMENTATION:

Maximum 4 connexions d'alimentation directement à l'unité.
Une alimentation externe est nécessaire pour chaque groupe de 4 détecteurs.
Total de 20 détecteurs, maximum.

COMMUNICATION:

Les câbles de communication doivent être connectés en marguerite.

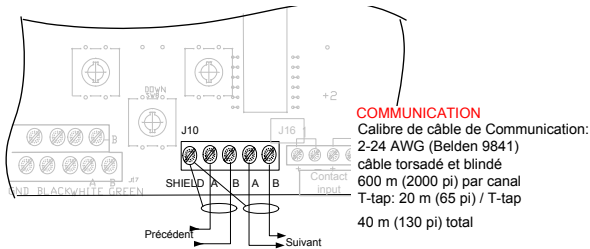
Chaque sonde doit avoir une paire de fils indépendante pour l'alimentation et ne peut pas partager une connexion. Les détecteurs supplémentaires doivent avoir une alimentation externe (par groupe de 4 détecteurs).

Deux appareils peuvent partager le même borniers de communication.

Note: Utiliser le câble 2-18 AWG pour l'alimentation de sondes toxiques ou combustibles. Utiliser le câble 14 AWG pour l'alimentation de sonde frigorigène.

Communication avec Centrale

Le bornier J10 est utilisé pour la communication entre le 301EM et la centrale 301C. Les câbles de communication doivent être mis à la terre par la borne du blindage. Le réseau peut atteindre jusqu'à 609 mètres (2 000 pieds) par canal. La longueur d'une dérivation (T-tap) ne peut excéder 20 mètres (65 pieds), et un total de 40 mètres (130 pieds) pour toutes les dérivations. Voici une illustration de connexion à la borne de communication : un câble arrive du dispositif précédent et l'autre sort vers le dispositif suivant.

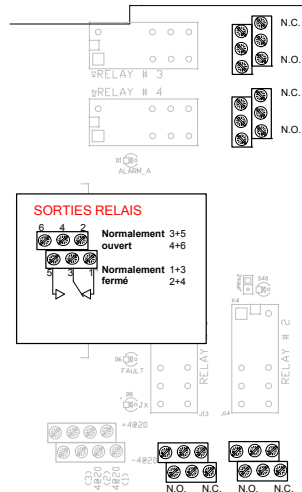


Sorties relais

Les sorties relais supportent jusqu'à 5 A @ 30 Vcc ou 250 Vca (charge résistive seulement). Elles peuvent être utilisées pour activer des alarmes sonores, stroboscopes, etc.

Sorties relais à sécurité intégrée « Failsafe »

Ces relais sont mis sous tension lorsque le 301EM est alimenté, permettant de détecter les pannes d'électricité puisque les alarmes seront activées lors d'une panne (ou d'une coupure). La configuration de base du 301EM est en



Détails de connexion

Câblage du système

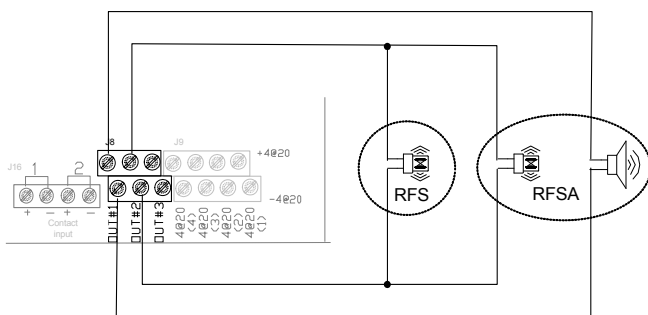
mode Normal (c. à d. sans les relais « failsafe »)



Voir la section Annexe pour les détails de configuration pour normes ASHRAE 15 et B-52

Sorties 24 Vcc

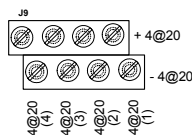
Ces trois sorties permettent d'activer des dispositifs, tels les alarmes sonores, les stroboscopes, etc.



Configurations 4-20mA

Sortie 4-20 mA

Des sorties 4-20 supplémentaires (borne J9) fournissent un courant proportionnel à la concentration de gaz détecté par le 301EM pour chacune des sondes. (Ces sorties peuvent recevoir un contrôleur de tierce compagnie, tels DDC, BMS etc.)



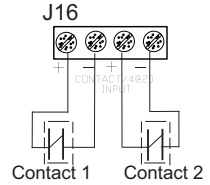
ATTENTION

Toujours respecter la polarité. Ne pas mettre sous tension avant de terminer toutes les connexions.

D'importants dommages peuvent survenir si les conditions ci-haut mentionnées ne sont pas correctement suivies.

Entrée par contact

L'entrée par contact sert principalement pour la connexion du commutateur manuel à bris de glace (break-glass), nécessaire pour conformer au code mécanique. Il est également possible de connecter un troisième commutateur en série, au besoin.



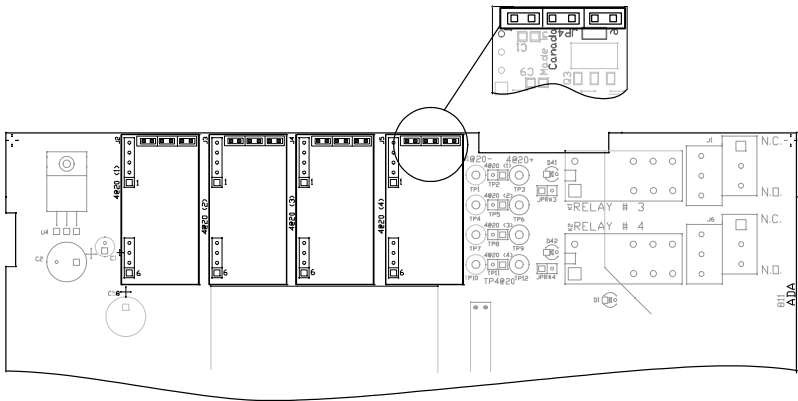
Le dessin ci-droit indique la configuration AHSRAE 15 où :

- Contact 1 = désactivation du système électrique
- Contact 2 = activation du ventilateur

Configuration sortie 4-20 mA

Configuration active sortie 4-20 mA

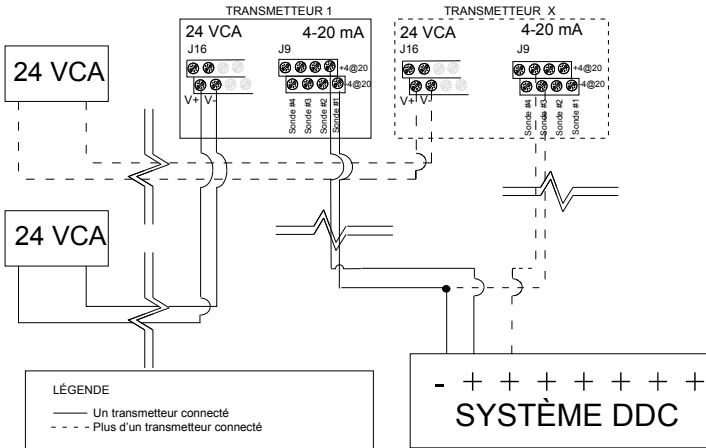
Le transmetteur fournit la tension à la boucle de courant. L'impédance maximale supportée par la boucle est de 400 Ohms. Pour configurer ce mode, il faut placer les trois cavaliers de JP4 dans la position 1-2, 3-4 et 5-6.



ATTENTION

Une alimentation séparée pour chacune des unités est requise pour cette configuration.
D'importants dommages peuvent survenir si les conditions ci-haut mentionnées ne sont pas correctement suivies.

Connexion de configuration active



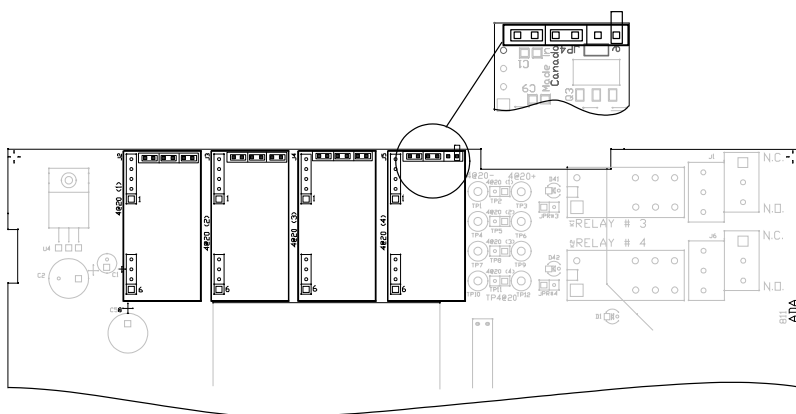
Détails de connexion

Câblage du système

Configuration Passive 4-20 mA

(Configuration de base)

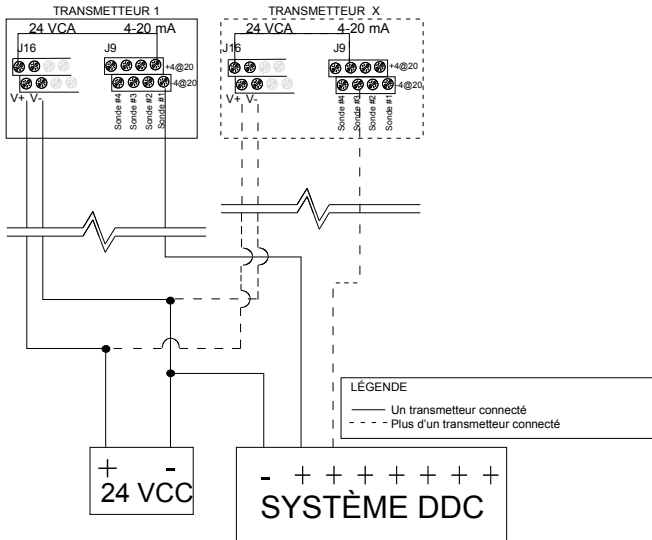
La sortie 4-20 mA passive nécessite une alimentation de 12 Vcc à 30 Vcc. L'impédance totale dépend du voltage de l'alimentation de la boucle 4-20 mA. Pour configurer ce mode, il faut placer les trois cavaliers de JP4 dans la position 2-3, 4-5 et 6.



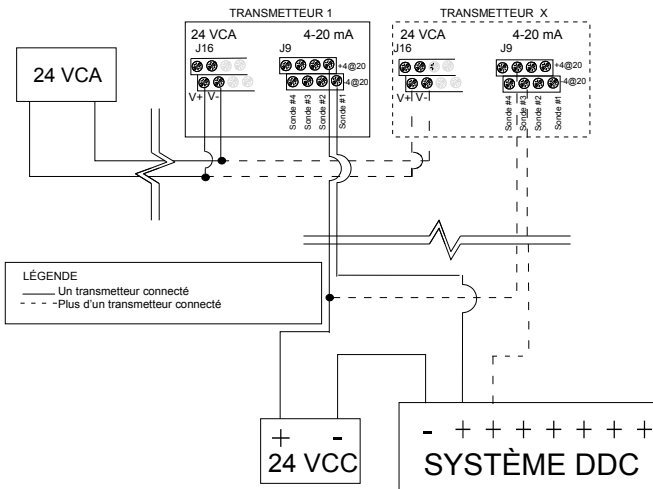
Impédance permise dans la boucle 4-20 mA

Tension d'alimentation de la boucle	Impédance totale
12 Vdc	400 Ohms
16 Vdc	600 Ohms
20 Vdc	800 Ohms
24 Vdc	1 000 Ohms
30 Vdc	1 300 Ohms

Configuration 3 fils



Configuration 4 fils



PROGRAMMATION ET ÉTALONNAGE

Interface usager

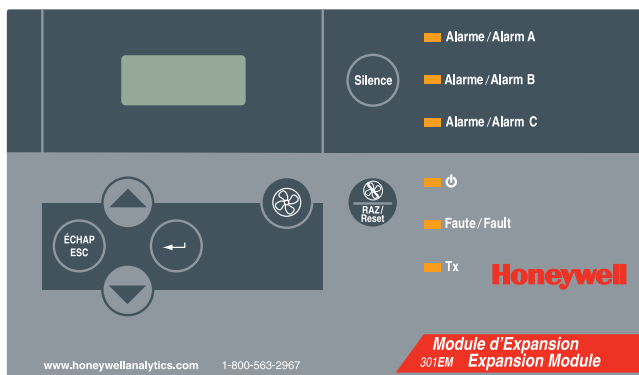
Quand l'appareil est initialement mis sous tension, l'unité affiche le numéro de modèle et de révision du logiciel.







Modes d'opération

Mode normal	Lorsque le 301EM est en mode d'opération normal, aucune intervention de l'utilisateur n'est nécessaire. L'affichage défilera entre les différentes sondes (jusqu'à 20) pour afficher le nom du gaz et la concentration détectée. La DEL Tx clignotera lors de la transmission de données sur le canal de communication (si connecté à une centrale).
Mode alarme	Les DELs rouges d'alarme A, B ou C s'allument selon le niveau d'alarme atteint. Si l'unité est munie des options d'alarme sonore ou de stroboscope, ceux-ci seront également activés.
Mode faute	Si un problème de communication survient avec une sonde, la DEL jaune de faute sera allumée. Le DEL de faute sera également allumé lorsque l'alarme d'entretien sera activé.
Mode de programmation	Le mode de programmation est protégé par un mot de passe. L'accès devrait être limité aux techniciens certifiés. La touche entrée permet d'accéder au mode de programmation et de valider une valeur dans un menu. Les flèches haut/bas servent à parcourir les menus et à modifier une valeur.

Description des touches

Le 301EM comporte des touches qui servent d'interface pour accéder aux fonctions de programmation. Voici la description de chacune de ces touches:



Touche	Description
	La touche « ÉCHAP/ESC » permet d'annuler une entrée ou de quitter le mode de programmation. Utiliser la touche pour arrêter le déroulement de l'affichage sur une sonde en particulier.
	Les flèches haut/bas servent à afficher le statut des sondes et à parcourir les menus et à modifier une valeur dans un menu.
	Cette touche permet de mettre le 301EM en mode de programmation et à valider une valeur dans un menu.
	Cette touche active le ventilateur (Programmation B-52 ou ASHRAE 15).
	Cette touche permet de réinitialiser les sorties lorsque le système revient en mode d'opération normal (lié à la fonction RESET du menu Events).
	Permet d'éteindre l'avertisseur sonore et les sirènes

Programmation de l'unité

Le 301EM est munit d'un menu de programmation permettant aux utilisateurs de modifier certains paramètres et d'étalonner l'unité.

Menu Option	Description
Password	Permet d'accéder aux menus de programmation protégés par mot de passe
Set Adr.	Permet de préciser une adresse pour le dispositif
Mem SD	Option désactivée: réservé aux techniciens seulement
Sensor	Permet d'ajouter ou de retirer une sonde
Set #RP	Permet d'ajouter un maximum de 10 unités 301EMRP
Service	Permet de préciser quelques paramètres pour l'alarme de service
SetEvent	Permet de configurer des événements pour certains types de sonde ou pour tout les types
SetRelay	Permet de préciser si un relais sera en mode de sécurité intégrée (failsafe)
Buzzer	Permet d'activer ou de désactiver la touche Silence
Set Alr	Permet de préciser des niveaux d'alarme minimum et maximum (pour alarmes A, B et C)
SetAnOut	Permet d'ajuster les 4 sorties analogiques
Set Zero	Permet d'ajuster le zéro de la sonde
Set Span	Permet d'étalonner chaque sonde
Quit	Permet de quitter les menus de programmation

Comment accéder aux menus de programmation

L'accès aux menus de programmation est protégé par mot de passe. Le mot de passe par défaut est « VA ».

- Appuyer sur la touche entrée pour accéder aux menus de programmation. L'écran PASSWORD est affiché

PASSWORD <u>V</u> A

- La première lettre est soulignée. Appuyer sur les flèches pour dérouler les lettres pour afficher la lettre V
- Appuyer sur la touche entrée pour confirmer. La lettre suivante est soulignée. Appuyer sur une des flèches pour dérouler à la lettre A
- Appuyer sur la touche entrée pour confirmer le mot de passe et pour accéder aux menus

Comment configurer l'adresse

Lorsque le 301EM est expédié, l'adresse par défaut (1) est fixer en usine. Si l'unité sera utilisé en réseau, ce menu permet de préciser une adresse selon la configuration du réseau.

- Accéder au menu, puis utiliser les flèches pour naviguer à l'option de menu **Set Adr.** Appuyer sur la touche entrée pour sélectionner

Menu
Set Adr.

- L'écran **Set Adr.** est affiché. Utiliser les flèches pour changer l'adresse, puis appuyer sur la touche entrée lorsque l'adresse désirée est affichée (adresses Modbus M001 à M254 et adresses Vulbus V01 à V30).

Set ADR
M001 V01

- L'écran revient au menu principal



Assurer qu'aucune adresse ne soit utilisée sur plus d'un appareil, car ceci peut occasionner des conflits de réseau.

Comment configurer un détecteur

Le menu **Sensor** permet d'ajouter ou de retirer un détecteur.

- Accéder au menu de programmation, naviguer à l'option **Sensor** puis appuyer sur la touche entrée pour sélectionner.

Menu
Sensor

Ce menu offre quatre options : NewSens?, Chg Adr., Scan SD, Disable. Utiliser les flèches pour naviguer dans ces options puis appuyer sur la touche entrée pour sélectionner l'option.

Note: Le menu NewSens? est réservé pour et doit être utilisé uniquement par les techniciens qualifiés.

Changer l'adresse de la sonde

Ce menu permet de changer l'adresse (son emplacement) d'un détecteur dans le 301EM. Porter bien attention lors d'un changement d'adresse d'une sonde pour ne pas utiliser une adresse déjà utilisée puisque la nouvelle sonde remplacera la sonde existante.

- Naviguer à l'option de menu **Chg Adr.** puis appuyer sur la touche entrée pour sélectionner.

Sensor
Chg Adr.

- L'écran affiche le type de gaz, le numéro de la sonde et son adresse. Utiliser les flèches pour naviguer au détecteur désiré (dans la liste de sondes).

NO2 #1
SD #1

PROGRAMMATION ET ÉTALONNAGE

Comment configurer un détecteur

- Appuyer sur la touche entrée pour sélectionner le détecteur. L'écran affiche le type de gaz du détecteur et son adresse. Utiliser les flèches pour changer l'adresse à l'adresse désirée (entre 1 et 20) et appuyer sur la touche entrée pour confirmer.

NO2 #1
For #2 ?

L'adresse du détecteur a été changé.

Comment ajouter un détecteur

Ce menu permet d'ajouter de nouveaux détecteurs (pour agrandir le réseau, etc.).



Lors de l'ajout de nouveaux détecteurs, il est important d'ajouter un seul détecteur à la fois pour assurer l'assignation appropriée des adresses.

- Naviguer à l'option de menu **Scan SD** puis appuyer sur la touche entrée pour sélectionner.

Sensor
Scan SD

Le 301EM cherche pour tout nouveau détecteur et assigne la première adresse libre au nouveau détecteur. L'écran affiche le message « *WAIT* » tout au long de la recherche.

Lorsque le 301EM trouve un nouveau détecteur, l'écran affiche l'adresse du détecteur (son emplacement dans le 301EM) et la version du micrologiciel du détecteur.

Scan sd
sd3 164

Comment enlever un détecteur

Ce menu permet d'enlever un détecteur du 301EM.

- Naviguer à l'option de menu **Disable?** puis appuyer sur la touche entrée pour sélectionner. Le détecteur actif est effacé.

Sensor
Disable?

Comment ajouter des panneaux à distance

Le menu **Set #RP** permet d'ajouter jusqu'à 10 panneaux à distance (301EMRP) au réseau du 301EM.

- Naviguer à l'option de menu **Set #RP** puis appuyer sur la touche entrée pour sélectionner.

Menu
Set #RP

- Utiliser les flèches pour dérouler au numéro désiré (il est possible d'ajouter jusqu'à 10 panneaux à distance, donc l'écran déroule les numéros de 1 à 10) puis appuyer sur la touche entrée pour sélectionner.

Set #RP
0 EMRP

Lorsque le panneau à distance est ajouté au réseau du 301EM, ce dernier affichera le statut des détecteurs connectés au 301EM.

Comment utiliser le menu Service

Le menu **Service** permet de configurer plusieurs options reliées au service, telles quand et comment activer les alarmes de service. Les alarmes de service avertissent lorsqu'un détecteur doit être remplacée ou étalonné.

Menu
Service

Ce menu contient deux options : **Set Act** et **Set Time**.

Service
Set Act

L'option **Set Act** permet de sélectionner une action depuis une liste, soit « Fault », « OFF » ou « Visual » :

Fault: Une alarme de service sera activé lorsqu'il y a une faute

OFF: Aucune alarme de service sera activée en aucun temps
(configuration par défaut)

Visual: Only a visual service alarm will be activated

L'option **Set Time** permet aux utilisateurs de configurer une date de tombée à laquelle une alarme sera activée.

Set Time
12 Month

Utiliser les flèches pour défiler entre 12 et 24 Month (mois) pour activer une alarme de service après le nombre de mois précisé. Sélectionner l'option Reset pour fermer l'alarme de service pour une période de 100 jours (après l'activation de l'alarme).

Comment utiliser le menu SetEvent

Quoique le 301EM est configuré en usine avec des paramètres d'événements par défaut (voir l'Annexe A pour les détails de ces paramètres), il est toujours possible de modifier des événements pour convenir à des applications particulières.

- Naviguer à l'option de menu **SetEvent** puis appuyer sur la touche entrée pour sélectionner.

Menu
SetEvent

Dans le cas d'une mise en marche où aucun événement n'a été configuré, il est nécessaire de choisir un type d'événement préconfiguré depuis le menu.

SetEvent
Type1CND

- Utiliser les flèches pour dérouler à l'option désirée puis appuyer sur la touche entrée pour sélectionner. Les options (voir l'annexe A pour les détails de chaque option) de ce menu sont : Type1 CND, Type2 CND, Type3 US, Type # 4 et OTHER.

Note: La sélection du type d'événement « OTHER » crée un événement avec tous les champs vides, donc aucun événement n'apparaîtra lors de l'appui sur les flèches. Les événements doivent être créés pour qu'ils apparaissent dans le menu déroulant.



Lorsque le type de configuration est sélectionné, il n'est plus possible de le modifier sans effacer tout les événements et configurer le système à nouveau. Consulter les tableaux à l'Annexe pour déterminer quelle configuration est appropriée.

Comment changer les paramètres d'événements

Les divers menus d'événement permettent aux utilisateurs de modifier les configurations existantes ou de créer de nouveaux événements selon leurs besoins. Chaque menu offre quatre options, chacune avec un sous-ensemble d'options.

Le premier écran est l'écran principal. Appuyer sur la touche entrée pour sélectionner l'événement affiché ou utiliser les flèches pour dérouler à un numéro d'événement particulier.

Type1CND
Event# 1

Cet écran permet de préciser quels détecteurs seront liés à l'événement. L'écran affiche SD All (la valeur par défaut). Appuyer sur la touche entrée pour activer l'option puis utiliser les flèches pour dérouler le menu d'options. Appuyer sur la touche entrée pour sélectionner l'option désirée

Event# 1
SD All

SD All: L'événement sera lié à tous les détecteurs

SD #1: (à SD #4) Lie l'événement au détecteur sélectionné

ManSW#1: (à SW#2) Lie l'événement au commutateur sélectionné

SD #---: Affiche l'écran EraseALL screen. Lorsque « Yes? » est sélectionné du menu d'événement #1, toutes les données de configuration de tous les événements seront effacées.

EraseALL
No?

À noter: lorsque « SD #--- » est sélectionné depuis n'importe quel autre numéro d'événement, l'écran EraseALL n'apparaît pas et les données pour cet événement seront effacées (les autres événements changeront de numéros).

Lorsque l'option est sélectionnée et que la touche entrée confirme la sélection, le champs est désactivé et il est possible de passer à l'écran suivant. Utiliser les flèches pour naviguer d'un écran à l'autre.

Le deuxième écran d'événement permet de préciser quelle condition activera un événement. L'écran affiche **ALRA** (la valeur par défaut)

Event# 1
= ALRA

- Appuyer sur la touche entrée pour activer le champs, puis utiliser les flèches pour dérouler la liste d'options :

= ALRA: (à ALRC) L'événement sera lié à l'alarme A, B ou C.

= Fault: L'événement ser lié à une condition de faute

= ALL: L'événement ser lié à toute conditions (alarme et faute)

= ---: Affiche l'écran EraseALL. Lorsque « Yes? » est sélectionné du menu d'événement #1, toutes les données de configuration de tous les événements seront effacées.

EraseALL
No?

À noter: lorsque « --- » est sélectionné depuis n'importe quel autre numéro d'événement, l'écran EraseALL n'apparaît pas et les données pour cet événement sera effacé (les autres événements changeront de numéros).



Si ManSW#1(ou #2) est sélectionné à l'étape précédente, cet écran contiendra seulement deux options : Open ou Closed. Choisir Open si le commutateur est connecté en Normalement Fermé ou choisir Closed si le commutateur est connecté en Normalement Ouvert.

Lorsque l'option est sélectionnée et que la touche entrée confirme la sélection, le champ est désactivé et il est possible de passer à l'écran suivant. Utiliser les flèches pour naviguer d'un écran à l'autre.

PROGRAMMATION ET ÉTALONNAGE

Comment utiliser le menu SetEvent

Le troisième écran permet de préciser quelles actions seront liées à l'événement. L'écran affiche **REL #1** (la valeur par défaut).

Event# 1
REL #1

- Appuyer sur la touche entrée pour activer le champs, puis utiliser les flèches pour dérouler la liste d'options :

REL #1: (à REL #4) Déclenche les dispositifs connectés au relais précisé

OUT #1: (à OUT #3) Déclenche les dispositifs connectés à la sortie précisée

BUZZER: Déclenche l'alarme sonore pour cet événement

---: Affiche l'écran EraseALL. Lorsque « Yes? » est sélectionné du menu d'événement #1, toutes les données de configuration de tous les événements seront effacées.

EraseALL
No?

À noter: lorsque « --- » est sélectionné depuis n'importe quel autre numéro d'événement, l'écran EraseALL n'apparaît pas et les données pour cet événement sera effacé (les autres événements changeront de numéros).

Lorsque l'option est sélectionnée et que la touche entrée confirme la sélection, le champs est désactivé et il est possible de passer à l'écran suivant. Utiliser les flèches pour naviguer d'un écran à l'autre.

Le dernier écran, **RESET**, permet de préciser qu'un événement demeure actif, même lorsque celui-ci revient au mode normal.

Event# 1
RESET N?

- Appuyer sur la touche entrée pour activer le champ puis utiliser les flèches pour naviguer à Y?.
- Appuyer sur la touche entrée encore une fois pour activer la fonction Reset.

Comment utiliser le menu SetRelay

Le menu **SetRelay** permet de préciser si le relais pour l'événement sera en mode de sécurité intégrée et si la touche Silence de l'interface usager (sur le devant du boîtier) sera activée pour cet événement.

Menu SetRelay

Appuyer sur la touche entrée pour activer le champs, puis utiliser les flèches pour dérouler la liste d'options :

FAILSAFE?	Met le relais en mode de sécurité intégrée (la valeur par défaut est sans sécurité intégrée).
Silence	Active la touche Silence de l'interface usager pour cet événement.

Lorsque l'option est sélectionnée et que la touche entrée confirme la sélection, le champs est désactivé et il est possible de passer à l'écran suivant. Utiliser les flèches pour naviguer d'un écran à l'autre.

Comment désactiver l'alarme sonore

Le 301EM est configuré en usine avec l'alarme sonore activé. Ce menu permet d'activer la touche Silence du clavier. Il permet également d'activer ou de désactiver les tonalité de clavier.

- Accéder au menu puis utiliser les flèches pour dérouler à l'option **Buzzer** puis appuyer sur la touche entrée pour sélectionner.

Menu
Buzzer

- L'écran affiche Yes?, appuyer sur la touche entrée pour sélectionner (ou dérouler à No? pour désactiver la touche Silence). L'alarme sera fermé lors de l'appui sur la touche Silence.

Silence
Yes?

- Le prochain écran, **Key Beep**, permet d'activer la tonalité de clavier. Utiliser les flèches pour afficher soit Yes ou No puis appuyer sur la touche entrée pour confirmer.

Key Beep
No?

- L'écran revient au menu principal

Comment configurer les alarmes

Quoique le 301EM est configuré avec des niveaux d'alarmes par défaut, ce menu permet de préciser d'autres niveaux (minimum et maximum) pour chacun des alarmes, A, B et C.

- Accéder au menu puis utiliser les flèches pour naviguer à l'option **Set Alr.** puis appuyer sur la touche entrée pour sélectionner.

Menu
Set Alr

- L'écran affiche les informations de la première sonde. Utiliser les flèches pour afficher la sonde désirée puis appuyer sur la touche entrée pour sélectionner

H2S #1
SD #1

- Les prochains écrans permettent de modifier les paramètres des alarmes minimum et maximum pour chacun des alarmes (A, B, C). Utiliser les flèches pour naviguer à l'alarme désirée puis appuyer sur la touche entrée pour sélectionner.

H2S #1
Min AlrA

- Utiliser les flèches pour augmenter ou pour diminuer la valeur puis appuyer sur la touche entrée pour confirmer la nouvelle valeur.

Min AlrA
9.0 PPM

- L'écran revient au menu principal.

Répéter pour chacun des niveaux d'alarme.

Comment configurer les sorties analogiques

Ce menu permet d'ajuster chacune des quatre sorties analogiques, minimum et maximum (c. à d. le 4 et le 20).



Noter que ce menu n'affiche pas l'ajustement de la sortie. La sortie doit être connectée (à un multimètre ou au DDC) pour consulter la lecture.

- Accéder au menu puis utiliser les flèches pour naviguer à l'option **SetAnOut**. puis appuyer sur la touche entrée pour sélectionner

Menu
SetAnOut

- L'écran **SetAnOut** est affiché. Ce menu permet de choisir la sortie à modifier (de Min 1 à Min 4 et de Max 1 à Max 4) et appuyer sur la touche entrée pour sélectionner

SetAnOut
Set Min 1

- L'écran **AdjAnOut** est affiché. Utiliser la flèche du haut pour augmenter la valeur ou la flèche du bas pour diminuer la valeur (le 301EM n'affiche pas les modifications; la valeur sera affichée uniquement sur l'appareil auquel la sortie est connectée).

Set Min1
AdjAnOut

- Lorsque la valeur de sortie désirée est atteinte, appuyer sur la touche entrée pour confirmer. L'écran affiche ***WAIT*** pendant la ré-initialisation.

Set Min1
WAIT

- L'écran revient au menu principal.

Répéter pour chacune des sorties à modifier.

Comment étalonner l'unité

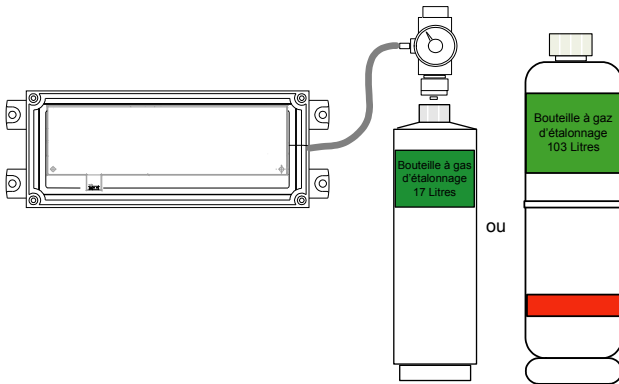
Honeywell fournit à ses clients des équipements de détection de gaz spécialisés. Au-delà de la période de garantie, ces systèmes demandent à être maintenus et étalonnés sur une base régulière (normalement deux fois par année).

Lorsque l'étalonnage ne peut s'effectuer correctement, la cellule doit être remplacée. Garder un journal de tous les entretiens, étalonnages et alarmes.

L'unité requiert une période de réchauffement avant de procéder à son utilisation ou à l'étalonnage. Le temps de réchauffement dépend de la sonde, cependant une période de 15 minutes est généralement acceptée.

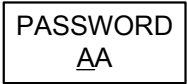
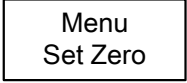
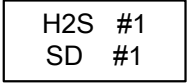
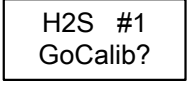
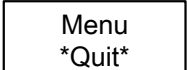
Brancher les régulateurs

1. Connecter l'adaptateur d'étalonnage au port d'étalonnage de l'unité
2. Brancher le régulateur de débit sur le cylindre de gaz et ajuster le régulateur au débit requis (voir tableau II)
3. Connecter le tuyau d'étalonnage au régulateur puis à l'adaptateur d'étalonnage



Ajustement du zéro (si requis)

L'ajustement du zéro n'est pas nécessaire si l'unité affiche une concentration de 0 %/ppm ; procéder à l'étalonnage du gain. Pour ajuster le zéro, émettre le gaz d'ajustement (azote) au débit précisé. Émettre le gaz pendant un minimum de 2.5 minutes avant de démarrer puis tout au long de l'étalonnage.

1. Appuyer sur la touche entrée pour accéder au menu. Puisque le menu de programmation est protégé par mot de passe, il faut d'abord entrer le mot de passe dans l'écran PASSWORD

2. Appuyer sur les flèches haut ou bas pour changer chaque lettre du mot de passe VA. Appuyer sur la touche entrée pour valider chaque lettre et pour accéder au menu.

3. Appuyer sur les flèches haut ou bas pour afficher l'écran Set Zero puis appuyer sur la touche entrée pour sélectionner.
4. Appuyer sur les flèches haut ou bas pour sélectionner la sonde à étalonner puis appuyer sur la touche entrée pour sélectionner.

5. Le message GoCalib apparaît. Appuyer sur la touche entrée pour démarrer l'étalonnage du zéro.
6. Le message Wait apparaît pour indiquer que l'étalonnage du Zéro est en cours. L'étalonnage est terminé lorsque le message Menu Set Zero apparaît.

7. Appuyer sur les flèches haut ou bas pour afficher le message Quit, puis appuyer sur la touche entrée pour quitter.


Étalonnage du gain

Pour étalonner le gain, émettre le gaz d'étalonnage au débit précisé. Émettre le gaz pendant un minimum de 2.5 minutes avant de démarrer, puis tout au long de l'étalonnage.

- Appuyer sur la touche entrée pour accéder au menu. Puisque le menu de programmation est protégé par mot de passe, il faut d'abord entrer le mot de passe dans l'écran PASSWORD

PASSWORD
 AA
- Appuyer sur les flèches haut ou bas pour changer chaque lettre du mot de passe VA. Appuyer sur la touche entrée pour valider chaque lettre et pour accéder au menu.
- Appuyer sur les flèches haut ou bas pour afficher l'écran Set Span puis appuyer sur la touche entrée pour sélectionner.

Menu
 Set Span
- Appuyer sur les flèches haut ou bas pour sélectionner la sonde à étalonner puis appuyer sur la touche entrée.

H2S #1
 SD #1
- Le prochain écran, SetGas, permet de préciser la valeur du gaz d'étalonnage. Utiliser les flèches haut ou bas pour augmenter ou diminuer la valeur du gaz puis appuyer sur la touche entrée pour confirmer.

SetGas
 25.0 PPM
- Lorsque l'écran GoCalib apparaît, appuyer de nouveau sur la touche entrée pour démarrer l'étalonnage.

H2S #1
 GoCalib?
- La concentration de gaz est affichée pendant l'étalonnage. L'étalonnage est terminé lorsque le message Menu Set Span apparaît.
- Appuyer sur les flèches haut ou bas pour afficher le message Quit, puis appuyer sur la touche entrée pour quitter.

PROGRAMMATION ET ÉTALONNAGE

Comment étalonner l'unité

Tableau II - Information d'étalonnage

Gaz	Plage	Réchauffement	Débit	Notes
Combustible	0 - 102% LEL	15 min.	500 ml/min	1% Volume CH ₄ = 20% LIE CH ₄ .
CL ₂	0 - 15.3 ppm	15 min.	500 ml/min	
CO	0 - 255 ppm	N/A	500 ml/min	
H ₂ S	0 - 51.0 ppm	15 min.	500 ml/min	
* HF	0 - 10.2 ppm	15 min.	500 ml/min	Le NO ₂ est un substitut pour le HF
NO ₂	0 - 10.2 ppm	15 min.	500 ml/min	
O ₂	0 - 25.5%	N/A	500 ml/min	
SO ₂	0 - 10.2 ppm	15 min.	500 ml/min	
Frigorigène Rxxx	0 - 1000 ppm	15 min	100 ml/min	Mettre le frigorigène nécessaire à la place de xxx

* Produits discontinués : Seulement les sondes existantes seront supportées.

Spécifications 301EM

Alimentation :	22 - 27 Vca, 50/60 Hz 29 - 38Vcc, 2 A@ 29 Vcc
Sorties :	4 relais DPDT 3 sorties x 24 Vcc, 250 mA chaque
Sorties optionnelles :	4-20 mA pour chaque sonde RS-485: Modbus ou Vulbus
Alarme sonore :	65 dBA à 1 mètre
Affichage :	Afficheur à CL rétroéclairé
Indicateurs visuels :	Opération normal : DEL vert Alarmes A, B et C : DELs rouges Faute/alarme de service : DEL jaune Tx : (Activé en mode réseau) DEL jaune
Longueur de lignes :	609 m (2000 pi) entre le 301EM et la centrale T-tap: maximum 20m (65pi.) par T-tap 40 m (130 pi.) total
Spécifications relais :	5A, 30 Vcc ou 250 Vca (charge résistive)
Protection de circuit :	Fusible réarmable PolySwitch de type TT, à délai prolongé
Environnement de fonctionnement :	Utilisation à l'intérieur
Catégorie surtension :	II
Plage de température:	0°C à 40°C
Plage d'humidité :	0% à 95% RH (non-condensé)
Altitude de fonctionnement :	Jusqu'à 3 000 m (9 843')
Boîtier :	NEMA 4X Polycarbonate - ABS intérieur
Degré de pollution :	2
Dimensions : (HxLxP)	20.3 x 28 x 7 cm 7,99" x 11,02" x 2,76"
Poids :	1.02 Kg (2.26lbs)
Certifications	ANSI/UL 61010-1 CAN/CSA C22.2 No. 61010-1
Alarme sonore (option):	105dBA, 4-28V, 2800Hz (RFSA) Voltage min. 80 dB(A) min. @ 2 pi. et 6 Vcc Voltage max. 90 dB(A) min. @ 2 pi. et 28 Vcc
Stroboscope (option) :	DEL STAS clignotante, 24Vca/Vcc

PROGRAMMATION ET ÉTALONNAGE

Spécifications sonde 301IRFS

Spécifications sonde 301IRFS

Gaz Détectés :	R11, R12, R13B1, R22, R114, R123, R125, R134a, R227, R245A, R404A, R407C, R410A, R507, R508b
Technologies de détection :	Capteur infrarouge (frigorigène)
Alimentation de la sonde :	8.5 - 12.5 Vcc, 1A@ 10 Vcc Maximum
Échelle de mesure :	0 - 1000 ppm
Précision	±10ppm à 50 ppm / ±40ppm à 500 ppm
Zone morte (deadband) :	20 ppm
Résolution :	1 ppm
Temps de réponse :	60 secondes
Temps de réchauffement	15 minutes
Environnement	
de fonctionnement :	Utilisation à l'intérieur
Longueur de lignes :	Jusqu'à 60 m (200') entre la sonde et le 301EM
Plage de température :	0°C à 40°C (32°F à 100°F)
Plage d'humidité :	0% à 95% RH, non-condensé
Boîtier :	Polycarbonate - ABS
Dimensions :	10.2 x 28 x 6,3 cm
(HxLxP)	4.02" x 11.02' x 2.48"
Poids :	0.603 Kg (2.33 lbs)

La DEL de la sonde du 301EM a deux fonctionnalités. Lorsque la sonde fonctionne normalement, elle indique l'adresse de la sonde sur le 301EM. Dans ce cas, le DEL verte clignotera de la façon suivante:

- Adresse 1 = la DEL clignote 2 fois pendant 2.8 secondes.
- Adresse 2 = la DEL clignote 3 fois pendant 2.8 secondes.
- Adresse 3 = la DEL clignote 4 fois pendant 2.8 secondes.
- Adresse 4 = la DEL clignote 5 fois pendant 2.8 secondes.
- Adresse de 5 à 20 = clignote 1 fois pendant 2.8 secondes.

Si la sonde est installée sur un 301IRF, la DEL allumera pendant 0,2 secondes et sera éteinte durant 2.6 secondes en alternance. Dans tous les cas, la DEL sera maintenue allumée si la sonde a un problème (failsense).

Spécifications sonde 301D2

Technologies de détection :	Electrochimique (toxiques) Combustion catalytique (explosifs) Pile métal-air (oxygène)
Alimentation de la sonde :	Toxic : 7 - 9 Vcc, 25mA @ 8 Vcc Combustible : 7 - 9 Vcc, 100mA @ 8 Vcc
Longueur de lignes :	Jusqu'à 160 m (500') (toxiques et explosifs) entre la sonde et le 301EM
Plage de température :	Toxiques : -40°C à 40°C (-40°F to 100°F) Explosifs : -40°C à 50°C (-40°F to 112°F)
Plage d'humidité :	0% à 95% RH, non-condensé
Altitude de fonctionnement :	Jusqu'à 3 000 m (9 843')
Boîtier :	Classe 1, Division 1, Groupe B,C,D

Entretien

Le 301EM ne nécessite aucun entretien. Par contre, les transmetteurs nécessitent une inspection et un étalonnage périodique.

Pièces de remplacement

Instructions de remplacement des DELs pour les options RFS et RFS A

- Tourner le diamant sur le capuchon de la lentille jusqu'à ce qu'il soit aligné avec le triangle linéaire de la lentille;
- Retirer le capuchon;
- Utiliser l'outil d'insertion afin de retirer la DEL;
- Utiliser l'outil d'insertion afin de placer la nouvelle DEL;
- Replacer le capuchon;
- Tourner le diamant sur le capuchon de la lentille jusqu'à ce qu'il soit aligné avec le triangle blanc de la lentille.

En raison de la constante évolution de nos produits, veuillez contacter le support technique pour plus de détails.

Ligne Support Technique: 1 800 563-2967

Nettoyage

Nettoyer l'extérieur de l'unité avec un linge humide et doux. Ne pas utiliser de solvant, de savon ou de polis.

ANNEXE A**Configurations pré-programmées disponibles****Type 1 CND (B-52 norme Canadienne pour R123)**

Événement	Entrée	Statut	Sortie	Reset	Silence
Event # 1	SD All	Alr A	Relay #1	Oui	Non
Event # 2	SD All	Alr A	Relay #4	Oui	Non
Event # 3	SD All	Alr A	Out 1	Oui	Oui
Event # 4	SD All	Alr A	Out 2	Oui	Non
Event # 5	SD All	Alr A	Out 3	Oui	Non
Event # 6	SD All	Alr A	Buzzer	Oui	Oui
Event # 7	SD All	Alr A	Relay #2	Oui	Oui
Event # 8	SD All	Alr A	Relay #3	Oui	Non
Event # 9	SD All	Fault	Relay #3	Oui	Non
Event #10	SD All	Alr B	Relay #1	Non	Non
Event #11	SD All	Alr C	Relay #1	Non	Non

Type 2 CND (B-52 norme Canadienne pour autres frigorigènes)

Événement	Entrée	Statut	Sortie	Reset	Silence
Event # 1	SD All	Alr A	Relay #1	Oui	Non
Event # 2	SD All	Alr A	Out 1	Oui	Oui
Event # 3	SD All	Alr A	Out 2	Oui	Non
Event # 4	SD All	Alr A	Out 3	Oui	Non
Event # 5	SD All	Alr A	Buzzer	Oui	Oui
Event # 6	SD All	Alr A	Relay #2	Oui	Oui
Event # 7	SD All	Alr B	Relay #4	Oui	Non
Event # 8	SD All	Alr A	Relay #3	Oui	Non
Event # 9	SD All	Fault	Relay #3	Oui	Non
Event #10	SD All	Alr C	Relay #1	Non	Non

ANNEXE A

Configurations pré-programmées disponibles

Type 3 US (ASHRAE 15 norme pour frigorigènes)

Événement	Entrée	Statut	Sortie	Reset	Silence
Event # 1	SD All	Alr A	Relay #1	Oui	Non
Event # 2	SD All	Alr A	Out 1	Oui	Oui
Event # 3	SD All	Alr A	Out 2	Oui	Non
Event # 4	SD All	Alr A	Out 3	Oui	Non
Event # 5	SD All	Alr A	Buzzer	Oui	Oui
Event # 6	SD All	Alr A	Relay #2	Oui	Oui
Event # 7	SD All	Alr B	Relay #4	Non	Non
Event # 8	SD All	Alr A	Relay #3	Oui	Non
Event # 9	SD All	Fault	Relay #3	Non	Non
Event #10	ManSw #1*	Open	Relay #1	Oui	Non
Event #11	ManSw #1*	Open	Relay #4	Oui	Non
Event #12	ManSw #1*	Open	Out 1	Oui	Oui
Event #13	ManSw #1*	Open	Out 2	Oui	Non
Event #14	ManSw #1*	Open	Out 3	Oui	Non
Event #15	ManSw #1*	Open	Buzzer	Oui	Oui
Event #16	ManSw #1*	Open	Relay #2	Oui	Oui
Event #17	ManSw #1*	Open	Relay #3	Oui	Non
Event #18	SD All	Alr C	Relay #1	Non	Non
Event #19	ManSw #2**	Open	Relay #1	Non	Non

*ManSw #1 : Déclenche une désactivation du circuit électrique.

**ManSw #2 : Déclenche une désactivation du relais #1.

Type 4 (configuration par défaut -autre que B-52 et ASHRAE 15)

Événement	Entrée	Statut	Sortie	Reset	Silence
Event # 1	SD All	Alr A	Relay #1	Non	Non
Event # 2	SD All	Alr B	Relay #2	Non	Oui
Event # 3	SD All	Alr C	Relay #3	Non	Non
Event # 4	SD All	Fault	Relay #4	Non	Non
Event # 5	SD All	Alr B	Out 1	Non	Oui
Event # 6	SD All	Alr A	Out 2	Non	Non
Event # 7	SD All	Alr C	Out 3	Non	Non
Event # 8	SD All	Alr B	Buzzer	Non	Oui

Garantie limitée

Garantie limitée

Honeywell Analytics, Inc. garantie à l'Acheteur d'origine et/ou au client final (« Acheteur ») de produits Vulcain (« Produit ») que si une pièce quelconque du produit s'avère défectueuse, soit en matériel ou en main d'oeuvre, dans les douze (12) mois, cette pièce sera réparée ou remplacée, sans frais, à la discrétion d'Honeywell Analytics si expédié, port payé, à Honeywell Analytics at 4005 Matte Blvd., Unit G, Brossard, Quebec, Canada, J4Y 2P4, dans l'emballage d'origine ou l'équivalent. Le Produit sera retourné au client port payé si Honeywell Analytics détermine que la pièce est défectueuse en raison de défaut matériel ou de main d'oeuvre. La réparation ou le remplacement d'une telle pièce défectueuse représente la seule et exclusive responsabilité d'Honeywell Analytics sous cette garantie limitée.

Politique de Retour

Les frais suivants seront applicables lors de retour de produit pour crédit :

- Des frais de retour de 15% seront appliqués lorsque le produit est retourné dans le **1er mois** suivant la date d'expédition
- Des frais de retour de 30% seront appliqués lorsque le produit est retourné dans les **3 mois** suivant la date d'expédition

Un crédit total (moins les frais de retour) sera uniquement appliqué si le produit est en parfait état de fonctionnement. Si des réparations sont nécessaires sur le produit retourné, les frais de cette réparation seront déduits du crédit.

Aucuns crédits ne seront appliqués pour les retours après les 3 mois suivant la date d'expédition.

Exclusions

A. Si des capteurs de gaz font partie du Produit, le capteur est couvert par une garantie limitée de douze (12) mois du fabricant.

B. Si les capteurs de gaz sont couverts par cette garantie limitée, le capteur sera assujéti à l'inspection par Honeywell Analytics pour l'exposition prolongée à des concentrations de gaz élevées si l'Acheteur

fait une réclamation sous cette garantie limitée. Si l'inspection indique que la cause de la défectuosité est l'épuisement du capteur plutôt qu'un défaut, cette garantie ne s'appliquera pas au Produit.

C. Cette garantie limitée ne s'applique pas au produits consommables, tels les piles, ou les articles sujets à l'usure ou au remplacement régulier, incluant les lampes, les fusibles, les valves, les aubes, les éléments de sonde, les cartouches ou les éléments de filtres.

Limitation et exclusion de la garantie

Honeywell Analytics n'aura aucun autre responsabilité sous cette garantie limitée. Toutes responsabilités de garantie d'Honeywell Analytics sont annulées si le Produit a subi des abus, de la négligence, un accident ou si l'Acheteur est en défaut de ses obligations tels que décrit dans cette garantie ou si le Produit n'a pas été utilisé selon les instructions ou si le numéro de série du Produit été enlevé ou modifié.

Dénégation de responsabilité d'autres garanties

La garantie ci-haut est la seule garantie applicable à cet achat. Toutes autres garanties, soit implicites ou exprès, incluant mais pas limité à, les garanties tacites de qualité marchande ou de l'aptitude à un emploi particulier sont dénuées par le présent document.

Limitation de responsabilité

Il est entendu que la responsabilité d'Honeywell Analytics, soit en contrat, en délit civil, sous n'importe quelle garantie de responsabilité, en négligence ou autrement n'excédera pas le prix d'achat payé par l'Acheteur pour le produit. Honeywell Analytics ne sera pas responsable, sous aucune circonstance, pour des dommages spéciaux ou indirectes. Le prix déclaré pour le produit est une considération limitant la responsabilité d'Honeywell Analytics. Aucune action, en quelle forme que soit, survenant des transactions sous cette garantie peuvent être entreprises par l'Acheteur plus d'un an après l'occurrence de la cause de ces actions.

**Pour renseignements /
Find out more**

www.honeywellanalytics.com

Coordonnées / Contact

Honeywell Analytics Inc.

4005 Matte, Suite G

Brossard, Quebec,

Canada, H4Y 2P4

1-800-563-2967

www.honeywellanalytics.com

**Services techniques /
Technical Services**

www.haservice@honeywell.com

Note:

Quoique ce document fut rédigé avec souci d'exactitude, nous ne sommes pas responsables des omissions ou erreurs présentes dans ce document. Les informations et la législation peuvent changer sans préavis, donc nous vous recommandons de vérifier les dernières normes, réglementations et directives.
Ce document n'est pas un contrat.

While every effort has been made to ensure accuracy in this publication, no responsibility can be accepted for errors or omissions. Data may change, as well as legislation, and you are strongly advised to obtain copies of the most recently issued regulations, standards, and guidelines.

This publication is not intended to form the basis of a contract.

512720

2/2009

© Honeywell International Inc.